

Whirl Terzo

INSTRUCTIONS FOR USE

Codes 8349-8350




CONTENTS	PAGE
1.0 INTRODUCTION	1
2.0 ILLUSTRATION OF YOUR WHIRL TERZO STANDER	2
3.0 FOR YOUR SAFETY	3
4.0 SETTING UP YOUR STANDER	4
5.0 ADJUSTING YOUR STANDER	5
6.0 TRANSFER	8
7.0 CARE AND MAINTENANCE	9
8.0 GUARANTEE AND SERVICE	9
9.0 CONTINUOUS IMPROVEMENT	10
10.0 WARRANTY AND AFTER SALES	10

1.0 INTRODUCTION

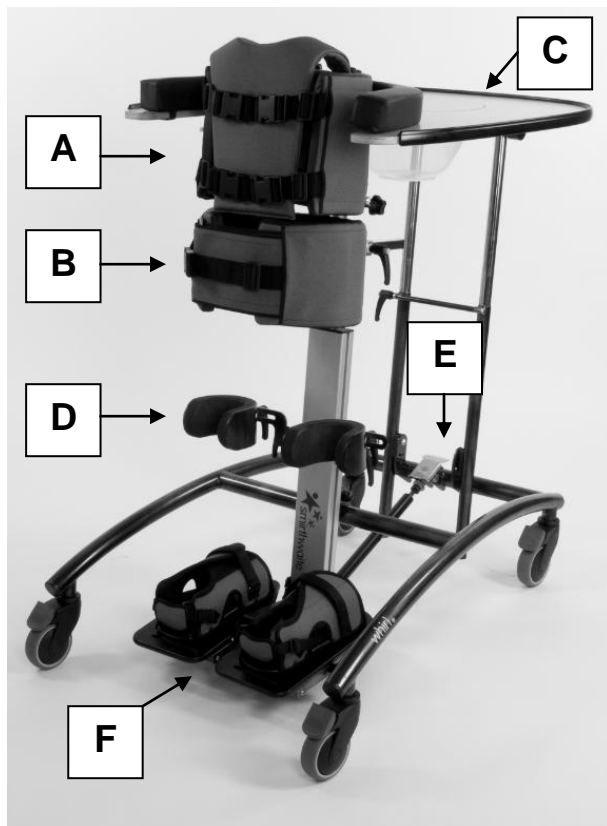
Thank you for choosing your new Smirthwaite Whirl Terzo Stander.

The Whirl has been designed to give excellent symmetry and enable children from a young age to gradually develop and maintain their ability to weight bear. It is suitable for children who require minimal to high levels of support and control.

	<p>IMPORTANT!</p> <p>These instructions should be read by all therapists and carers using the equipment and should be retained for future reference. The product should always be used under adult supervision.</p> <p>The Whirl Terzo requires an assessment to establish goals and benefits as part of the user's therapy programme and should always be used under professional guidance.</p> <p>Any incorrect use of the product and failure to follow the instructions may put the user at risk or impede the function. If you have any queries using this product or wish for further copies, please do not hesitate to contact Customer Service department on T: +44 (0) 1626 835552.</p>
---	--

2.0 ILLUSTRATION OF YOUR WHIRL TERZO STANDER

- A. Padded thoracic support
- B. Padded pelvic support
- C. Activity tray and bowl
- D. Knee cups
- E. Mechanical angle adjustor
- F. Indexable footrests




2.1 TECHNICAL DATA

Size		1	2
Product Code		8349	8350
User Height ¹	cm	63-102	76-127
User Weight Limit	kg	70	90
Thoracic Support (top) to foot plate ²	mm	630-1020	760-1270
Pelvic Support (top) to foot plate ²	mm	410-830	560-1030
Knee Block to foot plate ²	mm	130-420	165-520
Max width (between thoracic supports)	mm	300	460
Foot Plate to floor height (exc. sandals)	mm	70	70
Tray Size (depth x width)	mm	610 x 690	700 x 800
Angle	°	0 to 10	0 to 10
Base Frame	mm	795 x 660	960 x 710
Shipping Weight (inc packaging)	Kg	38	40


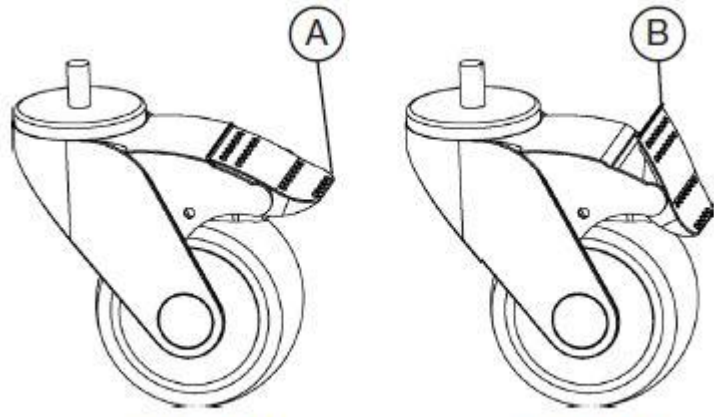
1. Measured from footplate to thoracic support (top)

2. Minimum heights taken with footplate raised 50mm from floor.


3.0 FOR YOUR SAFETY

	STOP!
	Please read these instructions CAREFULLY and THOROUGHLY.

- The user should NOT be left unattended whilst using the Whirl Terzo. Always ensure a responsible adult or carer is in attendance.
- Regular maintenance checks and cleaning are essential for the safe use of this equipment (see care and maintenance section).
- Use only on a flat surface and do not exceed the axilla heights or weight limits specified above.
- If any part is loose, damaged or functioning incorrectly, do not use until rectified.
- Check that all 4 castor brakes are locked and all parts are secure before the user is transferred to the stander.
- The Whirl is supplied fully assembled except for the tray. Check before use that all parts are present and undamaged. Please read the instructions below carefully to ensure safe usage.

	IMPORTANT! Always lock the castors when attaching items or making adjustments. To lock, apply foot to point (A), to unlock apply foot to point (B).
	 <p style="text-align: center;">UNLOCKED LOCKED</p>

4.0 SETTING UP YOUR STANDER


	STOP!
	If in any doubt, ALWAYS seek ADVICE. Always turn handwheels and screws clockwise to tighten or anti-clockwise to loosen. The chair must be fully adjusted by a therapist or trained representative before use.

Set up is made safer and easier by following the instructions below.

- Ensure all 4 castors are brake locked.
- Remove the activity tray.
- Take the intended user's measurements.
- Set the stander up approximately to these measurements and make final adjustments when the user is in place.

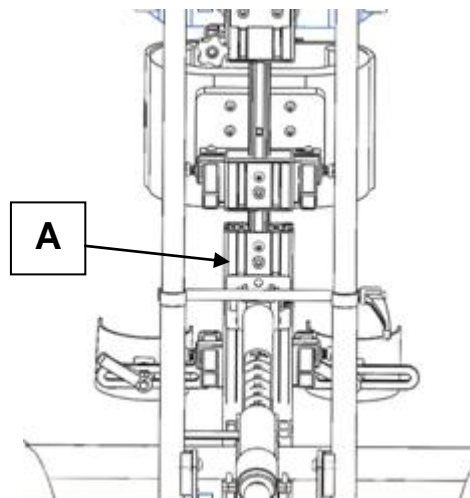
Smirthwaite offer, at no extra charge, an appointment with a product specialist who will assist in the initial product set up.

5.0 ADJUSTING YOUR STANDER

	<p>IMPORTANT! Provided with your Whirl Terzo you will find a 4mm and 6mm Hexagon key. Please use this to adjust your product.</p>
---	--

5.1 MAIN COLUMN HEIGHT

- The main column height can be adjusted by loosening screw (A) with the 6mm hexagon key provided.
- Slide the inner column to the desired height and refasten (A) securely.
- The inner column is prevented from being removed completely by a mechanical stop mechanism.



5.2 KNEE BLOCK

5.2.1 Depth (Flexion / Extension)

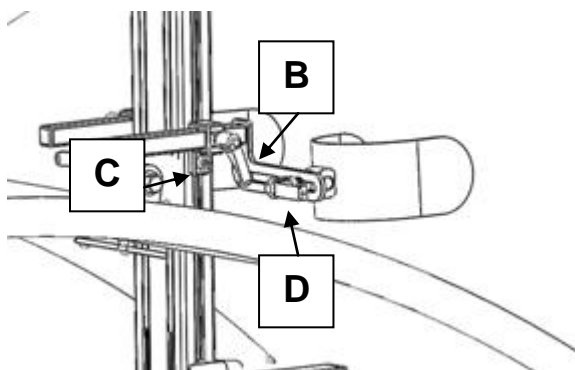
- Loosen the lever lock (B).
- Slide the knee block through the clamp to the desired depth.
- Retighten the lever lock (B).

5.2.2 Height

- Loosen screw (C) with the 6mm hexagon key.
- Slide the clamp to the desired height.
- Retighten the screw (C).

5.2.3 Lateral (Adduction/Abduction)

- Loosen the lever lock (D).
- Slide the knee block to the desired position, ensuring maximum contact is made.
- Retighten the lever lock (D).
- Repeat for the second knee block.
- By loosening the lever lock (D), it is also possible to swivel the knee block to the desired position.



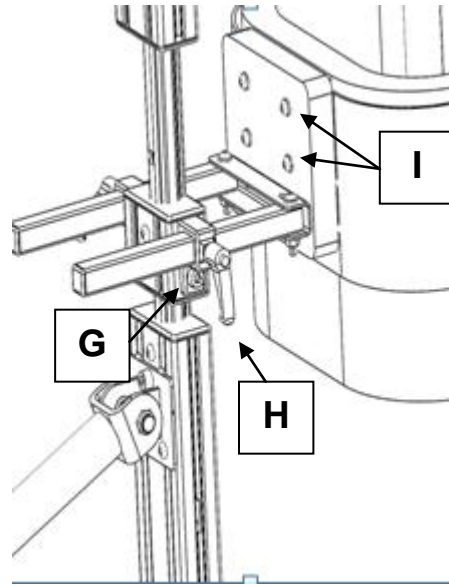
5.3 PELVIC SUPPORT

5.3.1 Height

- Loosen the 6mm screw (G).
- Slide the pelvic support section to desired height.
- Retighten the 6mm screw (G).

5.3.2 Depth

- Loosen both lever locks (H).
- Adjust the depth of the pelvic support to the desired position.
- Retighten both level locks (H).



5.3.3 Rotation

- Rotation of the pelvic support can be achieved by independently loosening lever locks (H) and adjusting each to suit.
- Retightened lever locks (H) when finished.

5.3.4 Width

- Loosen 4 screws (I) using the hexagonal driver.
- Slide the aluminum plates to the desired position.
- Retighten 4 screws (I) to lock into position.

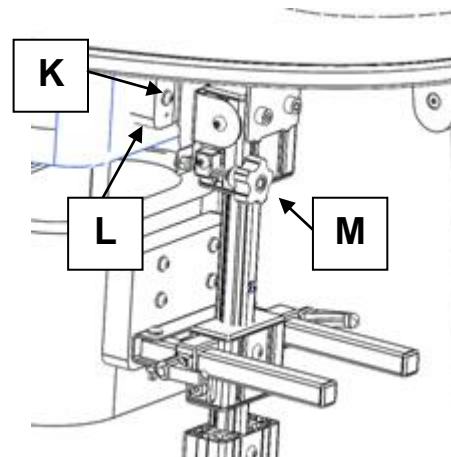
5.4 THORACIC SUPPORT

5.4.1 Width

- Loosen 4 screws (K) using the hexagonal driver.
- Slide the aluminum sides to the desired width.
- Retighten the 4 screws (K).

5.4.2 Fine Height

- The wooden block (L) on the rear of the thoracic support has two screws that, when loosened, permit the movement of the thoracic support through a fine range upwards and downwards.
- Ensure the screws are fastened tight once the desired height is achieved.



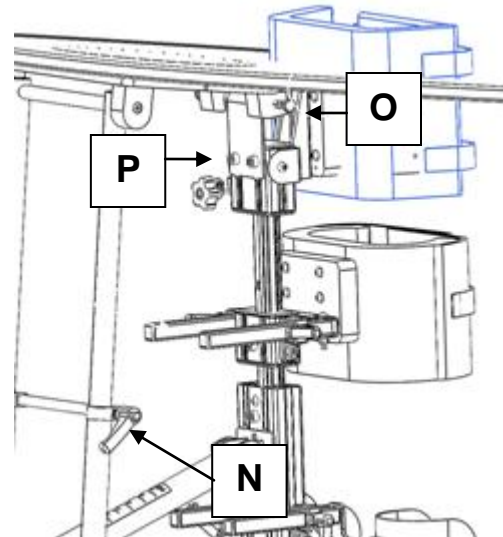
5.4.3 Angle

- Rotate hand wheel (M) to give the desired angle.

5.5 TRAY

5.5.1 Height

- Loosen lever lock (N).
- Lift tray to the desired height.
- Retighten level lock (N).
- Loosen 2 screws (P) using the hexagonal driver. This permits further tray height adjustment.
- Ensure screws (P) are secured when desired height is set.



5.5.2 Release

- To release the tray from the main column assembly, pull both plunger pins (O) and lift tray.
- When replacing the tray into position, ensure the plunger pins are securing engaged.

5.6 COLUMN ANGLE ADJUSTMENT

5.6.1 Angle Adjustment

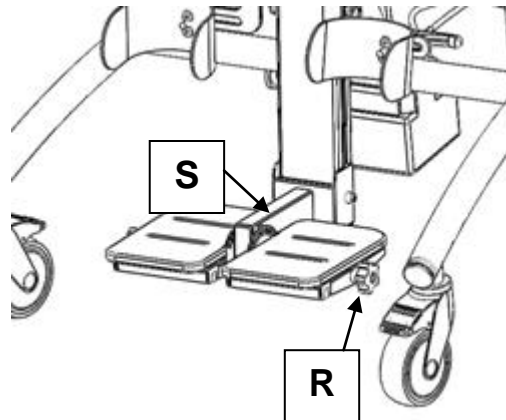
- Ensure that all 4 castors are locked.
- Press foot pedal (Q) and adjust angle until desired position is reached.
- Release foot pedal (Q).



5.7 INDEXING FOOT RESTS

5.7.1 Angle Adjustment


- Accurate foot placement can be achieved by making incremental adjustments of **each** foot rest.
- Loosen the locking hand wheel (R) on the foot rest.
- Pull the footrest outward slightly and rotate to the desired angle, using the stopper pin as a guide (S).
- When the desired position is achieved, simply lock the footrest securely by retightening the hand wheel (R).



6.0 TRANSFER

- Open all the straps on the Thoracic Support, Pelvic Support and Sandals.
- Unlock the castors and move the Whirl in front of the seated child.
- Lock the 4 castors at 45° to each other.
- Release the catch located under each footrest and lift upwards, towards the child's feet.
- Secure the child's feet in the sandals, using the straps provided.
- The child may then be carefully positioned vertically into the stander.
- Support the child, whilst securing the straps on the Thoracic Support and Pelvic Support.
- Make adjustments to the Thoracic, Pelvic and Knee support as needed.
- Follow the adjustment instructions as needed.


7.0 CARE AND MAINTENANCE

	IMPORTANT!
	Cleaning is recommended on a regular basis.

- Clean upholstery and wooden parts with a damp cloth and mild detergent.
- Make sure brakes are released before moving .
- Store the stander in a cool dry place out of direct sunlight.
- Anti-bacterial wipes may be used to clean the Whirl Tray.
- For further information please refer to MHRA or NHS cleaning guidelines.

7.1 DAILY CHECKS

- Check the accessories for damage or loose connection points.
- Check all upholstery for signs of wear and tear.
- Check the castors are running freely and brakes are in working order.
- Keep all parts clean.
- Check that all clamping and positional components are working, secure and free from damage.

	STOP!
	The user should not be in the stander while the checks are carried out.

7.2 SERVICE INTERVAL

The Whirl Terzo should be serviced every 1 year. Servicing must only be undertaken by a Smirthwaite service engineer, or by a Smirthwaite trained representative.

8.0 GUARANTEE & SERVICE

The Whirl Terzo stander is issued with a full parts and labour guarantee for 2 years from the date of delivery. This guarantee does not apply to accidental damage caused through inappropriate use of the product. This guarantee is issued at the discretion of G&SSmirthwaite Ltd on RTB (Return to Base) basis.

If you have any questions or doubts relating to the safety or use of the product please contact us for advice or assistance on:

T: +44 (0) 1626 835552

E: info@smirthwaite.co.uk

PLEASE REMEMBER THAT NO ADAPTATIONS OR ALTERATIONS SHOULD BE MADE TO THE WHIRL STANDING FRAME WITHOUT WRITTEN AUTHORISATION BY SMIRTHWATE; ANY SUCH MODIFICATION WILL AFFECT THE GUARANTEE.

9.0 CONTINUOUS IMPROVEMENT

G&SSmirthwaite Ltd are committed to continuous improvement to their product range. Should you have any suggestions or comments please send them to our product design department at: info@smirthwaite.co.uk

G&S Smirthwaite Ltd reserve the right to change the specification or material without prior notice.

For catalogues, help and further information on our products please contact us at:

G&S Smirthwaite Ltd
17 Wentworth Road
Heathfield
Devon TQ12 6TL

T: +44 (0) 1626 835552

F: +44 (0) 1626 835428

E: info@smirthwaite.co.uk

W: www.smirthwaite.co.uk

10.0 WARRANTY & AFTERSALE

10.1 Product Information

Model:	
Size:	
Date of Manufacture:	
Serial Number:	

10.2 Service & inspection record form:

Date	Procedure	Service Personnel



G&SSmirthwaite, 17 Wentworth Road, Heathfield, Newton Abbot, Devon.TQ12 6TL
T: +44 (0) 1626 835552 F: +44 (0) 1626 835428 E: info@smirthwaite.co.uk
W: www.smirthwaite.co.uk