

# Mobi Changer

---

## INSTRUCTIONS FOR USE

Codes 3121-3123 & 3141-3143




<b>CONTENTS</b>	<b>PAGE</b>
1.0 INTRODUCTION	1
2.0 ILLUSTRATION OF YOUR MOBI CHANGER	2
3.0 TECHICAL DATA	3
4.0 FOR YOUR SAFETY	4
5.0 UNPACKING YOUR MOBI CHANGER	5
6.0 SETTING UP AND ADJUSTING YOUR MOBI CHANGER	5
7.0 HOW TO USE YOUR MOBI CHANGER	7
8.0 CARE & MAINTENANCE	8
9.0 GUARANTEE & SERVICE	9
10.0 CONTINUOUS IMPROVEMENT	9
11.0 WARRANTY & AFTERSALE	10

---

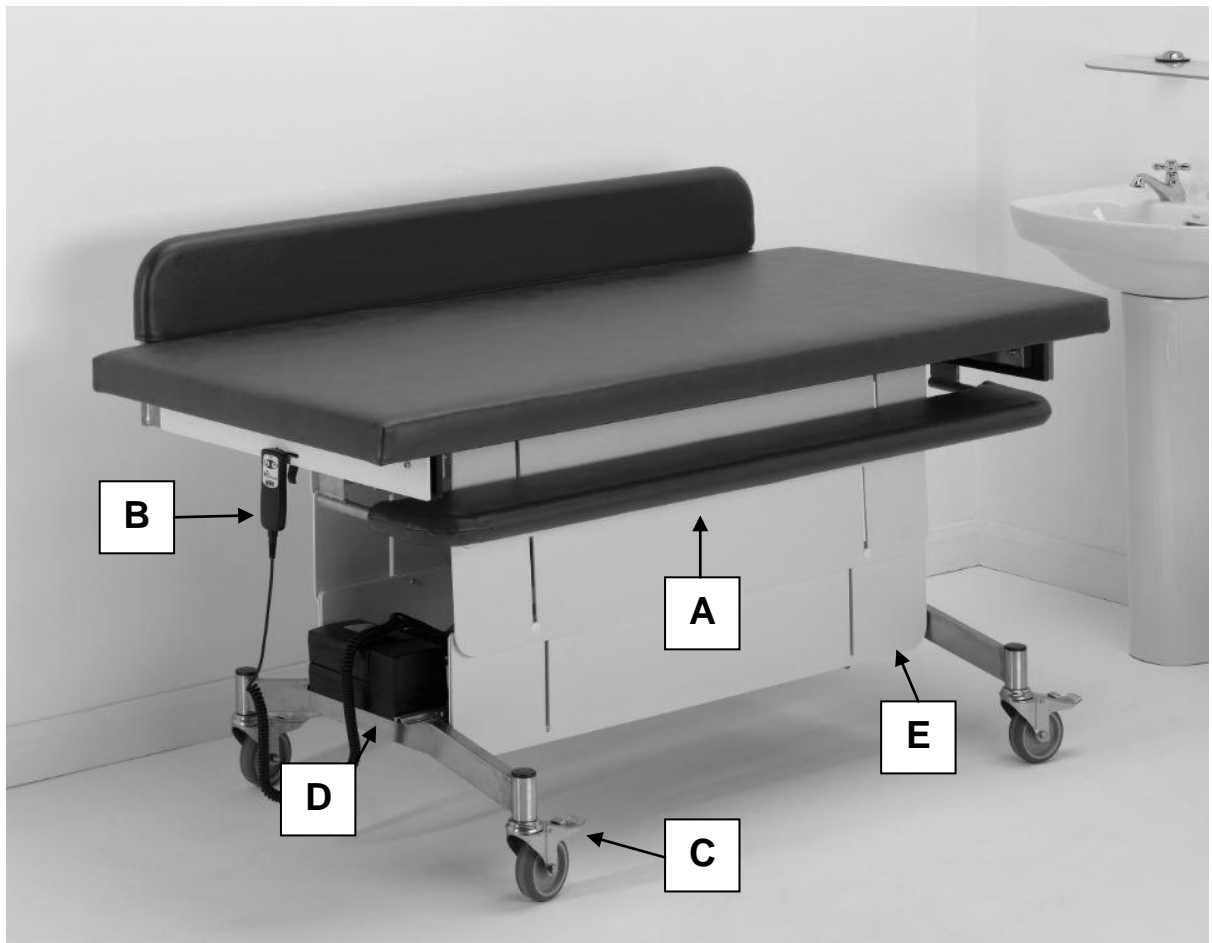
## **1.0 INTRODUCTION**

Thank you for choosing the Smirthwaite Mobi Changer.

The Mobi Changer is a fully mobile changing bench that requires no installation or fixing. Its compact design means that it can be easily manoeuvred from room to room making it an extremely cost effective option for a multi-use environment.

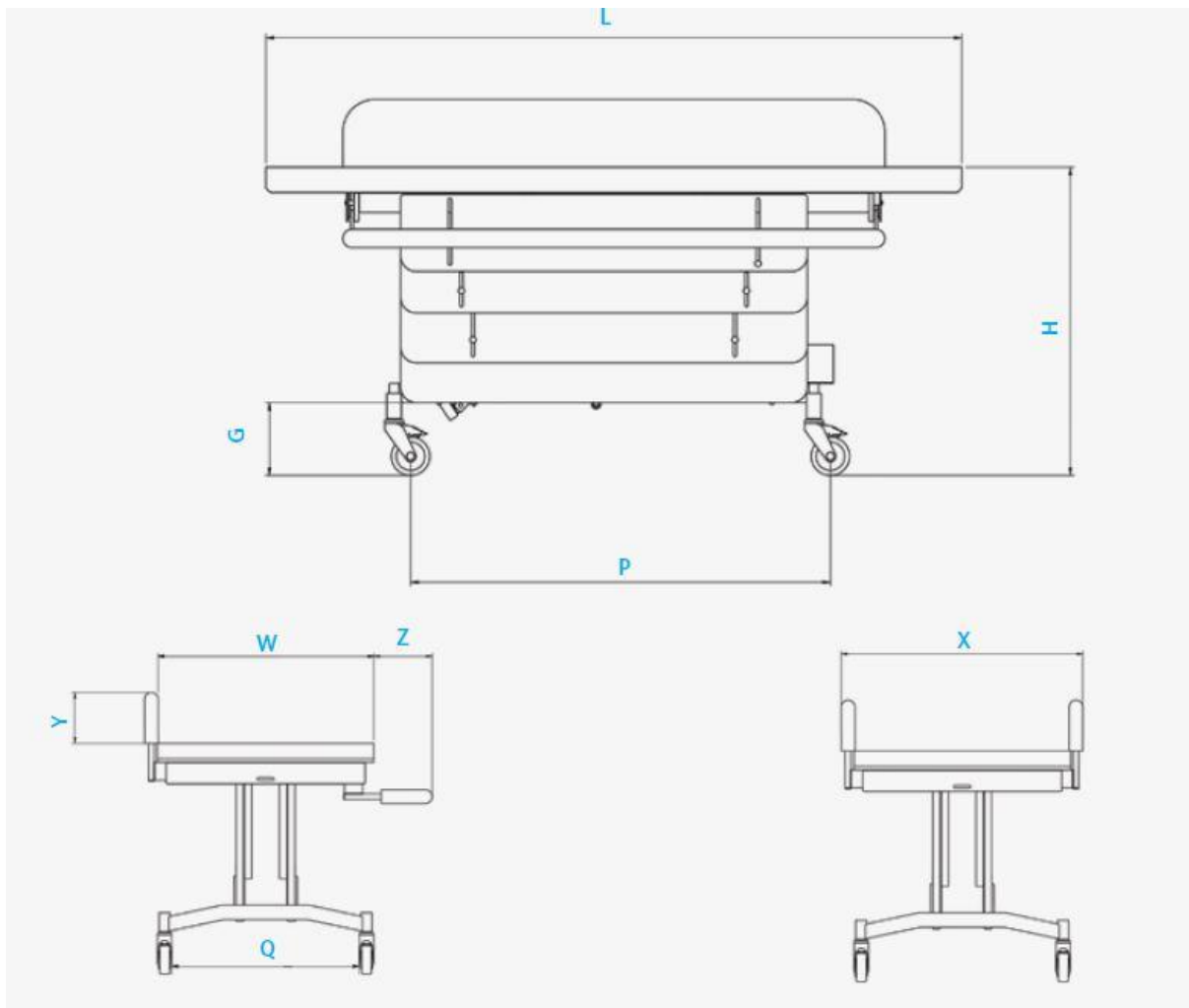
	<p><b>IMPORTANT!</b></p> <p><b>These instructions should be read by all therapists and carers using the equipment and should be retained for future reference. The product should always be used under adult supervision.</b></p> <p><b>Any incorrect use of the product and failure to follow the instructions may put the user at risk or impede the function. If you have any queries using this product or wish for further copies, please do not hesitate to contact Customer Service department on T: +44 (0) 1626 835552.</b></p>
---	--

## 2.0 ILLUSTRATION OF YOUR MOBI CHANGER




- A. Safety side
- B. Handset
- C. Castor
- D. Battery
- E. Safety skirt

### 3.0 TECHNICAL DATA




	Mild Steel, Powder Coated			Stainless Steel		
<b>Code</b>	3121	3122	3123	3141	3142	3143
<b>Size</b>	1	2	3	1	2	3
<b>User Weight (kg)</b>	227	227	227	227	227	227
<b>Height Range (mm)</b>	470-950	470-950	470-950	470-950	470-950	470-950
<b>Table Dimensions</b>						
<b>Length (mm)</b>	1400	1600	1800	1400	1600	1800
<b>Width (mm)</b>	750	750	750	750	750	750
<b>Safety Sides</b>						
<b>X (mm)</b>	840	840	840	840	840	840
<b>Y (mm)</b>	165	165	165	165	165	165
<b>Z (mm)</b>	200	200	200	200	200	200
<b>Castor Centres</b>						
<b>P (mm)</b>	1090	1090	1090	1090	1090	1090
<b>Q (mm)</b>	700	700	700	700	700	700
<b>Clearance</b>						
<b>G (mm)</b>	190	190	190	190	190	190
<b>Shipping Weight (kg)</b>	86	88	90	86	88	90


## 4.0 FOR YOUR SAFETY

	<b>STOP!</b>
	<b>Please read these instructions CAREFULLY and THOROUGHLY</b>

- The user should **NOT** be left unattended whilst on the changer. Always ensure a responsible therapist or carer is in attendance.
- The Mobi changer height should **NEVER** be adjusted without a carer in attendance.
- **DO NOT** connect the mains power supply in a wet room.
- The Mobi changer should **NOT** be used as a transit system.
- Before moving the changer, unplug the mains supply cable.
- Avoid pushing the changer over uneven or rough floors.
- Always keep this product away from naked flames, cigarettes and sources of heat including open fireplaces, radiators and heaters.
- Regular maintenance checks and cleaning are essential for the safe use of this equipment (see care and maintenance section).
- **DO NOT** fit parts or accessories of other manufacturers to this product unless authorised to do so in writing by G&S Smirthwaite Ltd. Failure to follow these instructions will not only invalidate the guarantee but could make the product dangerous to use. G&S Smirthwaite Ltd will not accept liability for any injury or damage incurred through such malpractices. Any repairs required must be carried out by G&S Smirthwaite Ltd authorised personnel.
- If any part is loose, damaged or functioning incorrectly, **DO NOT** use until rectified.
- The Mobi changer is CE marked. This certifies that it meets all relevant European safety requirements.
- If you believe the product or any fitted accessory to be faulty at any time, **DO NOT USE** – contact Smirthwaite by telephone on +44 (0) 1626 835552.

	<b>IMPORTANT!</b>
	<b>For side transfers always ensure the safety side is in the fully stowed position. After the user has been transferred into the Mobi changer, please ensure safety sides are in the fully upright position and locked in place before trolley is used.</b>


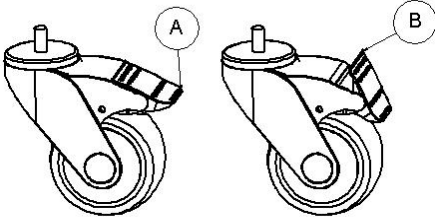
## 5.0 UNPACKING YOUR MOBI CHANGER

	<b>STOP!</b>
	<b>Due to the weight of the changer, care should be taken with the initial handling – it is strongly recommended that two people lift the trolley out its packaging.</b>

- When delivered, the changer will be at its minimum height; the safety sides will be stowed under the bench.
- Please take note of any instructions on the packaging/box when unpacking.
- Place the changer on the floor with the castors locked.
- Check section 2.0 to confirm all parts/items have been delivered.
- If any part is loose, damaged or functioning incorrectly – do not use until rectified.

If you believe this product to be faulty **-DO NOT USE-** Contact G&S Smirthwaite Ltd on T: +44 (0) 1626 835552.

## 6.0 SETTING UP AND ADJUSTING YOUR MOBI CHANGER

	<b>IMPORTANT!</b>
	<p><b>Always lock the castors when attaching items, or making adjustments. To lock, apply foot to point (A); to unlock, apply foot to point (B).</b></p> <div style="text-align: center;"><p>UNBRAKED      BRAKED</p></div>

The changer can be raised or lowered with or without mains power cable connected.

## 6.1 CHARGING YOUR MOBI CHANGER



### IMPORTANT!

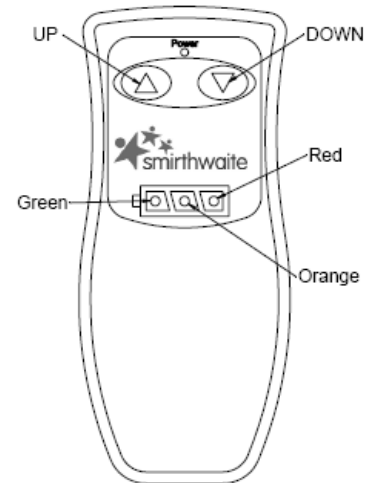
The battery should be charged for at least 8 hours upon receipt by connecting the mains cable and switching on the power supply.

- A green light will indicate a fully charged condition.
- The supply cable may be left connected – this will not damage the battery.
- For routine use, the battery should be charged **daily**.
- The control box emits an audible alarm signal when the battery charge is low.

The handset is supplied with a 1.0m lead and has indicator lights the display the battery charge condition:

- Red – Battery needs immediate charging.
- Orange – Battery charging recommended.
- Green – Battery does not require charging.

The Green light will be lit when the battery is being charged.

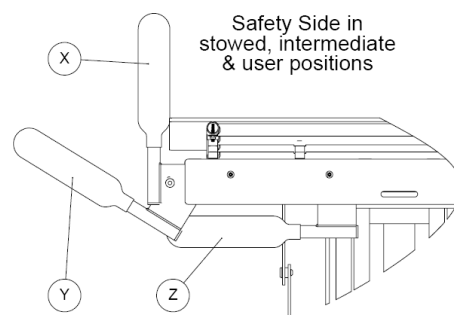


## 6.2 CONTROL BOX


- The control box and battery is sited below the changing bench.
- The bench can be raised or lowered with or without the mains supply cable being connected, provided the battery is charged.
- A country/region specific mains cable and plug is provided. The fuse in the plug is 5A.

## 6.3 RAISING THE SAFETY SIDES

- Pull the safety side fully outwards (Z,Y).
- Swing it to the vertical position (X).
- Lift it up fully, and allow it to drop a small distance, locking it into the vertical position (X).
- Repeat for the second safety side.



## 7.0 HOW TO USE YOUR MOBI CHANGER

	<b>IMPORTANT!</b>
	<b>Ensure all steps of Section 6 are completed before use.</b>

### 7.1 WHEELCHAIR TRANSFER

- Lift the safety side up and swing to horizontal position.
- Stow the safety side under the table.
- Lower the table to height of the wheelchair seat.
- It is now possible to transfer the user onto the trolley.



SAFETY SIDE DOWN




SAFETY SIDE UP

### 7.2 HOIST TRANSFER

- Transfer patient onto table.
- Ensure liner and safety sides are in the 'up' position.




## 8.0 CARE AND MAINTENANCE

	<b>IMPORTANT!</b>
	<b>Cleaning is recommended on a regular basis</b>

- To clean Mobi Change, use a damp soft cloth with mild soap.
- Rinse with clean cloth and water.
- DO NOT soak/immerse any part of the product in water.
- DO NOT use solvents, abrasives, synthetic detergents and wax polishes.
- ALWAYS wipe dry after use.
- ALWAYS keep this product away from naked flames, cigarettes and sources of heat including open fireplaces, radiators and heaters.
- For further information please refer to MHRA or Local Authority cleaning guidelines.

## 8.1 MAINTENANCE CHECKS

	<b>IMPORTANT!</b>
	<b>Regular maintenance checks are required</b>

### 8.1.1 DAILY CHECKS

- **CHECK THAT THE BATTERY IS FULLY CHARGED – THE HANDSET INDICATOR SHOULD BE GREEN WHEN OPERATED**
- Check the accessories for damage or loose connection points.
- Check all upholstery for signs of wear and tear.
- Check the castors are running freely and brakes are in full working order.
- Keep the upholstery, wooden and metal parts clean.
- Check that all clamping and positional components are working, secure and free from damage.

### 8.1.2 MONTHLY CHECKS

- Repeat daily checks.
- Additionally, check all mechanical movements operate fully.
- Additionally, check structure for signs of damage or wear and tear.

## 8.2 SERVICE INTERVAL

The Mobi Changer should be serviced every 1 year. Servicing must only be undertaken by a Smirthwaite service engineer, or by a Smirthwaite trained representative.

## **9.0 GUARANTEE & SERVICE**

The product is issued with a full parts and labour guarantee for 2 years from the date of delivery. This guarantee does not apply to accidental damage caused through inappropriate use of the product. This guarantee is issued at the discretion of G&S Smirthwaite Ltd on RTB (Return to Base) basis. If you have any questions or doubts relating to the safety or use of the product please contact us for advice or assistance on:

T: +44 (0) 1626 835552

E: [info@smirthwaite.co.uk](mailto:info@smirthwaite.co.uk)

## **10.0 CONTINUOUS IMPROVEMENT**

G&S Smirthwaite Ltd are committed to continuous improvement to their product range. Should you have any suggestions or comments please send them to our product design department at: [info@smirthwaite.co.uk](mailto:info@smirthwaite.co.uk)

G&S Smirthwaite Ltd reserve the right to change the specification or material without prior notice.

For catalogues, help and further information on our products please contact us at:

G&S Smirthwaite Ltd  
17 Wentworth Road  
Heathfield  
Devon TQ12 6TL

T: +44 (0) 1626 835552

F: +44 (0) 1626 835428

E: [info@smirthwaite.co.uk](mailto:info@smirthwaite.co.uk)

W: [www.smirthwaite.co.uk](http://www.smirthwaite.co.uk)





G&S Smirthwaite, 17 Wentworth Road, Heathfield, Newton Abbot, Devon.TQ12 6TL  
T: +44 (0) 1626 835552 F: +44 (0) 1626 835428 E: [info@smirthwaite.co.uk](mailto:info@smirthwaite.co.uk)  
W: [www.smirthwaite.co.uk](http://www.smirthwaite.co.uk)