

Heathfield

INSTRUCTIONS FOR USE

Codes 6901 - 6916



CONTENTS	PAGE
1.0 INTRODUCTION	1
2.0 ILLUSTRATION OF YOUR CHAIR	2
3.0 FOR YOUR SAFETY	2
4.0 UNPACKING YOUR CHAIR	3
5.0 SETTING UP AND ADJUSTING YOUR CHAIR	3
6.0 COMMON ACCESSORIES	6
7.0 CARE & MAINTENANCE	8
8.0 GUARANTEE & SERVICE	9
9.0 CONTINUOUS IMPROVEMENT	9
10.0 WARRANTY & AFTERSALE	10

1.0 INTRODUCTION

Thank you for choosing the Smirthwaite Heathfield Chair.

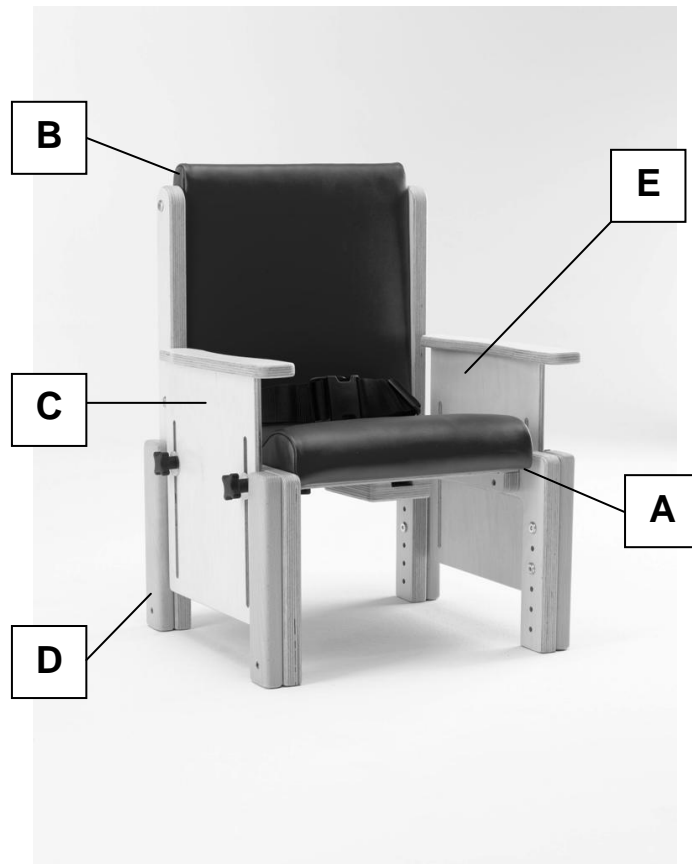
The Heathfield Chair is suitable for children from the age of 2 to young adults who require minimal postural support when seated and fits well into nursery, school and home environments. A wide range of accessories can be added or removed to suit the changing requirements of the individual.

IMPORTANT!

These instructions should be read by all therapists and carers using the equipment and should be retained for future reference. A clinical assessment of the child's needs should be undertaken to ensure the Heathfield chair is correctly specified and adjusted. Adjustments should only be made by a therapist, Smirthwaite product advisor or suitably trained personnel.

2.0 ILLUSTRATION OF YOUR CHAIR

- A. Contoured seat
- B. Backrest
- C. Armrest
- D. Leg outrigger
- E. Pelvic lap strap



3.0 FOR YOUR SAFETY

PLEASE READ THESE INSTRUCTIONS CAREFULLY AND THOROUGHLY.

- The user should NOT be left unattended whilst in the chair. Always ensure a responsible therapist or carer is in attendance.
- If you believe the chair or any fitted accessory to be faulty at any time, DO NOT USE – contact Smirthwaite by telephone on +44 (0) 1626 835552.
- The therapist should be familiar with the methods of adjustment and have completed all adjustments appropriately to meet the needs of the child before transferring the child onto the chair.
- The chair is ONLY to be used indoors on a flat level surface.
- **DO NOT EXCEED USER MAXIMUM WEIGHT LIMITS.**
- Always fasten the pelvic strap and any other straps provided with the chair.
- Regular maintenance checks and cleaning are essential for the safe use of this equipment (see Section 6.0 Care and Maintenance).
- Always keep this product away from naked flames, cigarettes and sources of heat including open fireplaces, radiators and heaters.
- **DO NOT** fit parts or accessories of other manufacturers to this product unless authorised to do so in writing by G&S Smirthwaite Ltd. Failure to follow these instructions will not only invalidate the guarantee but could make the chair dangerous to use.

- G&S Smirthwaite Ltd will not accept liability for any injury or damage incurred through such malpractices. Any repairs required must be carried out by G&S Smirthwaite Ltd authorised personnel.
- Product codes 6901/2 and 6911/2: It is possible to tip the chair forward if another child leans heavily on the front edge of the tray (if fitted). Size 1 and 2 chairs with trays **MUST** also have a footboard, skis, dolly or footrest for stability.

4.0 UNPACKING YOUR CHAIR

- When delivered, the chair will be supplied fully assembled except for the attachment of any special accessories ordered. Export orders may require the chair to be fully assembled, which takes approximately 2 minutes.
- If your order has been supplied as a custom kit, please ensure you follow both the instructions documented in this IFU **and** any additional instructions supplied.
- Please take note of any instructions on the packaging/box when unpacking.
- Once the chair has been carefully unpacked, please check all parts.

If you believe this product to be faulty - **DO NOT USE** - Contact G&S Smirthwaite Ltd on T: +44 (0) 1626 835552.

5.0 SETTING UP AND ADJUSTING YOUR CHAIR

Set up is made safer and easier by following the instructions below.



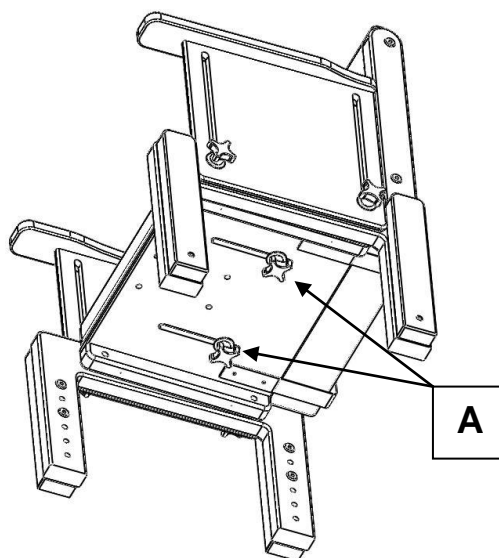
PLEASE NOTE: ALWAYS TURN LEVER HANDWHEELS AND SCREWS CLOCKWISE TO TIGHTEN OR ANTI-CLOCKWISE TO LOOSEN. THE CHAIR MUST BE FULLY ADJUSTED BY A THERAPIST OR TRAINED REPRESENTATIVE BEFORE USE.

5.1 ADJUSTMENTS

5.1.1 SEAT DEPTH

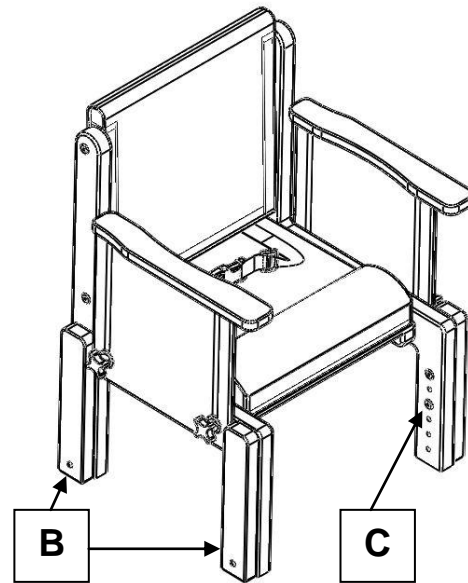
To move seat forwards or backwards

- Loosen handwheels (A).
- Slide seat to desired position (B).
- Allow 25mm gap between the back of knee and the edge of the seat.
- Tighten handwheels (A) when the seat depth is set to the desired position.



5.1.2 SEAT HEIGHT

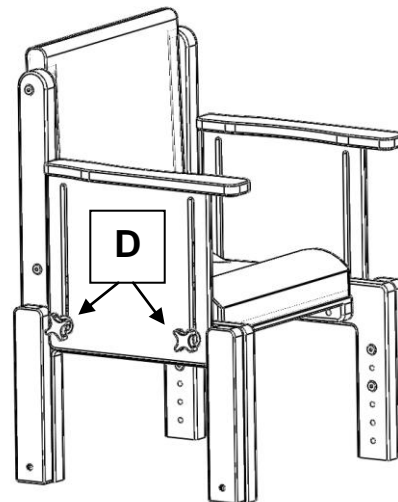
- To adjust the seat height, reposition the leg outriggers (B) using the tool provided for this purpose.
- There are 2 screws per leg (C).
- Ensure all leg outriggers are set to the same height.
- Ensure the screws are re-inserted and tightened when the desired height is achieved.
- Check the chair for stability on a level surface before use.



5.1.3 ARMREST HEIGHT

To adjust the height of the armrest.

- Loosen handwheels (D).
- Slide armrest to desired position.
- Tighten handwheels (D) when the armrest is set.
- Repeat for both armrests – ensure armrests are set to the same height on both sides of the chair.
- Armrests can be lowered to minimum setting to facilitate side transfer of child into the seat.
- **Note:** Product codes 6911 – 6916 are provided with fixed armrests, and therefore cannot be adjusted.



5.1.4 TRAY ACCESSORY

A wooden tray accessory is available for your Brookfield chair.

The tray slides onto the armrests, and toggles are rotated to secure the tray into position.

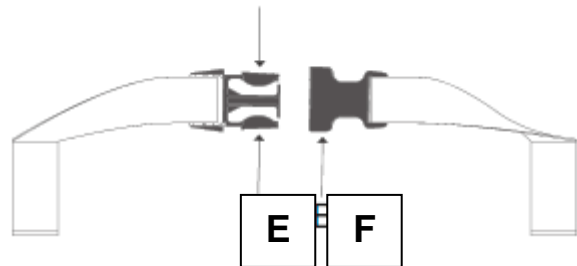
Ensure the armrests are set to the same height before sliding the tray into place.



5.1.5 PELVIC LAP STRAP

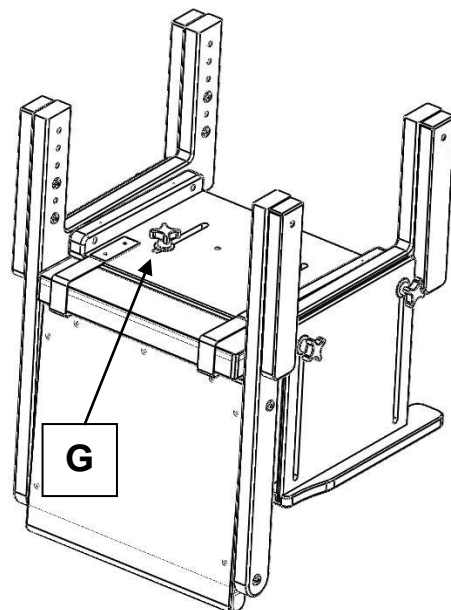
Buckle Strap (Standard)

- The buckle is secured by pushing (E) into (F).
- To release the buckle, press both sides of (E).
- The strap length can be altered by adjusting the tri-glide (as shown opposite).



5.1.6 REPLACEMENT STRAPS

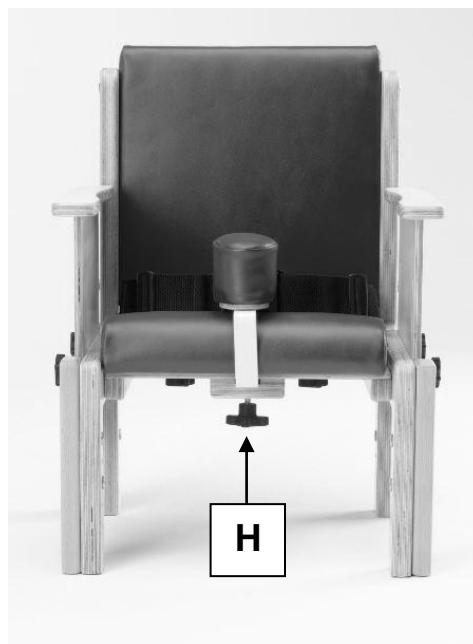
- To replace the straps, pull the straps off the popper fasteners, located on the underside of the chair (G).



6.0 COMMON ACCESSORIES

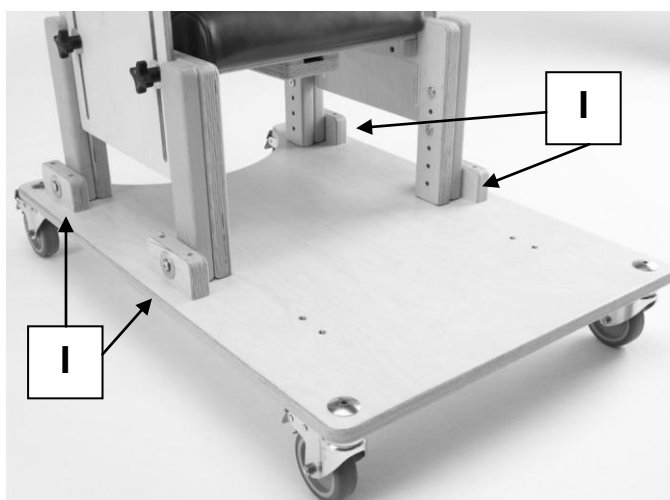
6.1 POMMEL

- The pommel fits under the seat and is adjusted in and out by clamping with the handwheel (H).
- The pommel can be rotated to increase the amount of abduction.



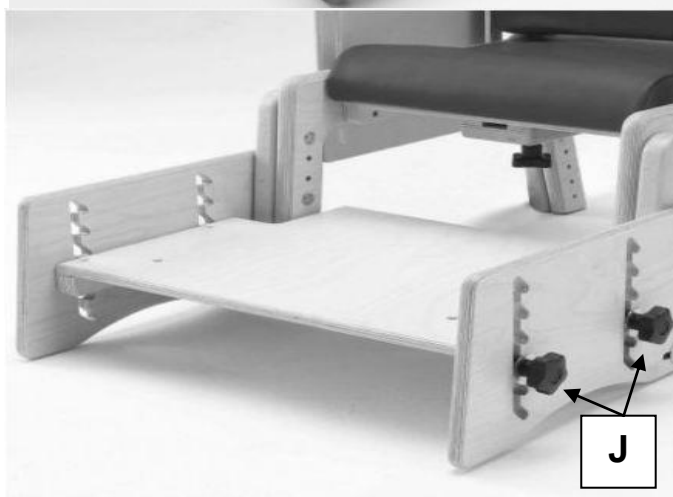
6.2 MOBILE DOLLY BASE

- Position the back legs of the chair to the rear blocks on the dolly.
- Secure all four legs using the screws provided with the dolly accessory pack.
- Precise positioning is achieved within the limits of the slots.
- Ensure there is sufficient room for your client's feet at the front of the dolly.



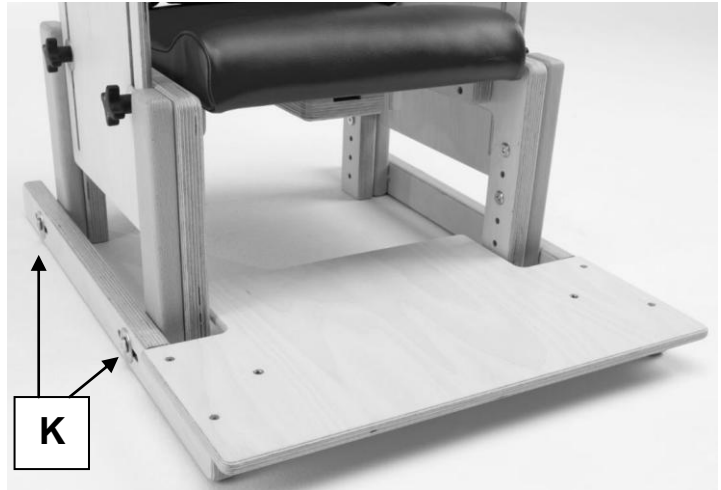
6.3 ADJUSTABLE FOOTREST

- The footrest is attached to the chair by sliding the chair front legs between the two battens on the footrest sides and then fixing with the screws provided.
- The height and angle can be adjusted by loosening the handwheels (J) on each side, and then positioning the footrest to desired setting.
- Tighten (J) before use.



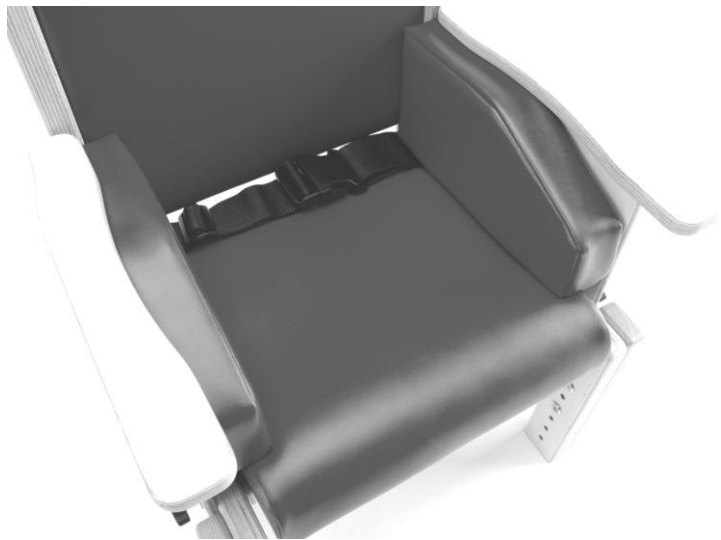
6.4 REVERSIBLE FOOTBOARD

- The footboard and skis are attached to the chair by four screws provided.
- The screws fit into the chair outriggers on each side of the chair (K).
- The footboard can be reversed by removing four screws (K), rotating the complete board and ski assembly and reattaching.
- Ensure all screws are tight before use.



6.5 CUSHIONS

- Side support cushions are available for chairs with adjustable arms.
- The cushions are wedged in place under the armrest tops.



6.6 ADDITIONAL ACCESSORIES

- Further accessories are available; please contact your Technical Product Advisor for full details and specification.

7.0 CARE AND MAINTENANCE

! CAUTION

CLEANING IS RECOMMENDED ON A REGULAR BASIS.

- Clean upholstery and wooden parts with a damp cloth and mild detergent.
- Stubborn marks on the woodwork should be cleaned using a soft brush.
- Do not soak or immerse the chair in water.
- The pelvic strap can be cleaned with a damp cloth. In cases of extreme soiling it can be machined washed at low temperature with mild detergent but must be drip dried.
- Store the chair in a cool dry place and out of direct sunlight.
- DO NOT use bleach, solvents, abrasives, synthetic detergents, wax polishes, antibacterial sprays or wipes.
- For further information please refer to MHRA or your NHS cleaning guidelines.

7.1 DAILY CHECKS

- Check the tray (if supplied) to ensure no parts are loose or damaged.
- Check all upholstery for signs of wear and tear.
- Check that the hand wheels tighten correctly, and are not cross-threaded or damaged.
- Check that the leg screws are present and are tightened correctly.
- Check all straps for fraying, and that buckles are not missing/damaged.
- Check the strap is securely fastened to the poppers on the underside of the chair.

! CAUTION

THE USER SHOULD NOT BE SEATED WHILE THE CHECKS ARE CARRIED OUT.

7.2 SERVICE INTERVAL

The Heathfield chair should be serviced every 3 years. Servicing must only be undertaken by a Smirthwaite service engineer, or by a Smirthwaite trained representative.

8.0 GUARANTEE & SERVICE

The chair is issued with a full parts and labour guarantee for 2 years from the date of delivery. This guarantee does not apply to accidental damage caused through inappropriate use of the chair. This guarantee is issued at the discretion of G&S Smirthwaite Ltd on RTB (Return to Base) basis. If you have any questions or doubts relating to the safety or use of the chair please contact us for advice or assistance on:

T: +44 (0) 1626 835552
E: info@smirthwaite.co.uk

9.0 CONTINUOUS IMPROVEMENT

G&S Smirthwaite Ltd are committed to continuous improvement of their product range. Should you have any suggestions or comments please send them to our product design department at: info@smirthwaite.co.uk.

G&S Smirthwaite Ltd reserve the right to change the specification or material without prior notice.

For catalogues, help and further information on our products please contact us at:

G&S Smirthwaite Ltd
17 Wentworth Road
Heathfield
Devon TQ12 6TL

T: +44 (0) 1626 835552
F: +44 (0) 1626 835428

E: info@smirthwaite.co.uk
W: www.smirthwaite.co.uk



G&S Smirthwaite, 17 Wentworth Road, Heathfield, Newton Abbot, Devon.TQ12 6TL
T: +44 (0) 1626 835552 F: +44 (0) 1626 835428 E: info@smirthwaite.co.uk
W: www.smirthwaite.co.uk