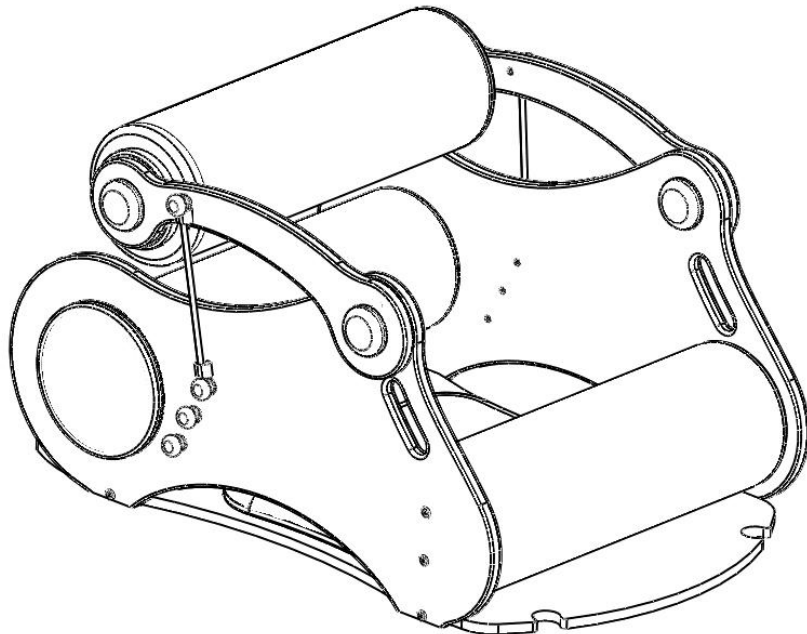


Body Roller

INSTRUCTIONS FOR USE

Codes 43211, 43221, 43231



CONTENTS	PAGE
1.0 INTRODUCTION	1
2.0 ILLUSTRATION OF YOUR BODY ROLLER	2
3.0 FOR YOUR SAFETY	2
4.0 UNPACKING YOUR BODY ROLLER	3
5.0 SETTING UP AND ADJUSTING YOUR BODY ROLLER	3
6.0 CARE & MAINTENANCE	4
7.0 GUARANTEE & SERVICE	5
8.0 CONTINUOUS IMPROVEMENT	5
9.0 WARRANTY & AFTERSALE	6

1.0 INTRODUCTION

Thank you for choosing your new Smirthwaite Body Roller.

The Body Roller has been designed to provide deep pressure to a child's body as he or she enjoys the challenge of crawling between the rollers. Application of deep pressure can contribute to relaxation, improving a child's ability to concentrate on other activities after using the Body Roller.

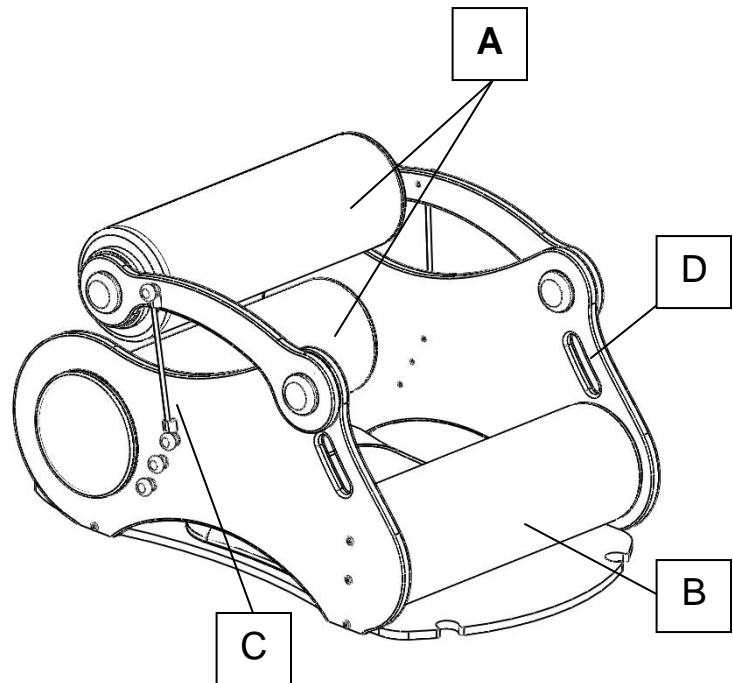
IMPORTANT!

These instructions should be read before using the equipment and should be retained for future reference.

Any incorrect use of the product and failure to follow the instructions may put the user at risk or impede the function. If you have any queries using this product or wish for further copies, please do not hesitate to contact Customer Service department on T: +44 (0) 1626 835552.

2.0 ILLUSTRATION OF YOUR BODY ROLLER

- A. Rear rollers
- B. Front roller
- C. Elastic straps
- D. Carry handles



3.0 FOR YOUR SAFETY

PLEASE READ THESE INSTRUCTIONS BEFORE USING THE BODY ROLLER.

- The user should NOT be left unattended whilst using the product. Always ensure a responsible adult or carer is in attendance.
- The carer should be familiar with the methods of adjustment and have completed all adjustments appropriately to meet the needs of the child before use.
- Regular maintenance checks and cleaning are essential for the safe use of this equipment (see care and maintenance section).
- If any part is loose, damaged or functioning incorrectly, do not use until rectified.
- This product is intended for indoor use only.
- Always keep this product away from naked flames, cigarettes and sources of heat including open fireplaces, radiators and heaters.
- The product is ONLY to be used on a flat level surface.

- DO NOT fit parts or accessories of other manufacturers to this product unless authorised to do so in writing by G&S Smirthwaite Ltd. Failure to follow these instructions will not only invalidate the guarantee but could make the product dangerous to use. G&S Smirthwaite Ltd will not accept liability for any injury or damage incurred through such malpractices. Any repairs required must be carried out by G&S Smirthwaite Ltd authorised personnel.
- The Max user weight limit of this product is 136kg (300lbs).

If you believe this product to be faulty - **DO NOT USE** - Contact G&S Smirthwaite Ltd on T: +44 (0) 1626 83552.

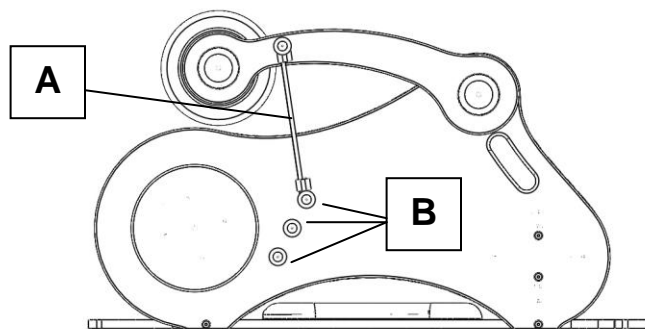
4.0 UNPACKING YOUR BODY ROLLER

- The Body Roller is supplied fully assembled.
- Please take note of any instructions on the packaging/box when unpacking.
- Once the product has been carefully unpacked, please check all parts.
- If any part is loose, damaged or functioning incorrectly, do not use until rectified.

Should you wish to query any aspect of your product, please contact G&S Smirthwaite Customer Services on T: +44 (0) 1626 835552 or info@smirthwaite.co.uk.

5.0 SETTING UP AND ADJUSTING YOUR BODY ROLLER

The pressure of the rear rollers can be adjusted to three different levels, by positioning the elastic straps (A) to the desired setting (B). Ensure the elastic straps are securely positioned before use, and that each side strap is set to the same setting.



6.0 CARE AND MAINTENANCE

All our wooden products are easy to clean.

! CAUTION CLEANING IS RECOMMENDED ON A REGULAR BASE.

- Clean upholstery and wooden parts with a damp cloth and mild detergent.
- Stubborn marks on the woodwork should be cleaned by using a soft brush
- Do not soak or immerse the product in water.
- Store the product in a cool dry place and out of direct sunlight.
- DO NOT use bleach, solvents, abrasives, synthetic detergents, wax polishes, antibacterial sprays or wipes.

! CAUTION REGULAR MAINTENANCE CHECKS ARE RECOMMENDED.

DAILY & MONTHLY CHECKS

- Check the product for damage or loose components.
- Check the structure of the product for signs of damage wear and tear.
- Keep all parts clean.

7.0 GUARANTEE & SERVICE

The Body Roller is issued with a full parts and labour guarantee for 2 years from the date of delivery. This guarantee does not apply to accidental damage caused through inappropriate use of the product. This guarantee is issued at the discretion of G&S Smirthwaite Ltd on RTB (Return to Base) basis. If you have any questions or doubts relating to the safety or use of the chair please contact us for advice or assistance on:

T: +44 (0) 1626 835552
E: info@smirthwaite.co.uk.

8.0 CONTINUOUS IMPROVEMENT

G&S Smirthwaite Ltd are committed to continuous improvement to their product range. Should you have any suggestions or comments please send them to our product design department at: info@smirthwaite.co.uk.

G&S Smirthwaite Ltd reserve the right to change the specification or material without prior notice.

For catalogues, help and further information on our products please contact us at:

G&S Smirthwaite Ltd
17 Wentworth Road
Heathfield
Devon TQ12 6TL

T: +44 (0) 1626 835552
F: +44 (0) 1626 835428

E: info@smirthwaite.co.uk
W: www.smirthwaite.co.uk

9.0 WARRANTY & AFTERSALE

9.1 Product Information

Model:	
Size:	
Date of Manufacture:	
Serial Number:	

9.2 Service & inspection record form:

Date	Procedure	Service Personnel



G & S Smirthwaite, 17 Wentworth Road, Heathfield, Newton Abbot, Devon.TQ12 6TL
T: +44 (0) 1626 835552 F: +44 (0) 1626 835428 E: info@smirthwaite.co.uk
W: www.smirthwaite.co.uk