

O Frame

INSTRUCTIONS FOR USE

Code 44501




CONTENTS	PAGE
1.0 INTRODUCTION	1
2.0 ILLUSTRATION OF YOUR O FRAME	2
3.0 FOR YOUR SAFETY	3
4.0 ASSEMBLING YOUR O FRAME	4
5.0 CARE AND MAINTENENCE	7
6.0 GUARANTEE AND SERVICE	8
7.0 CONTINUOUS IMPROVEMENT	9
8.0 WARRANTY AND AFTER SALES	10

1.0 INTRODUCTION

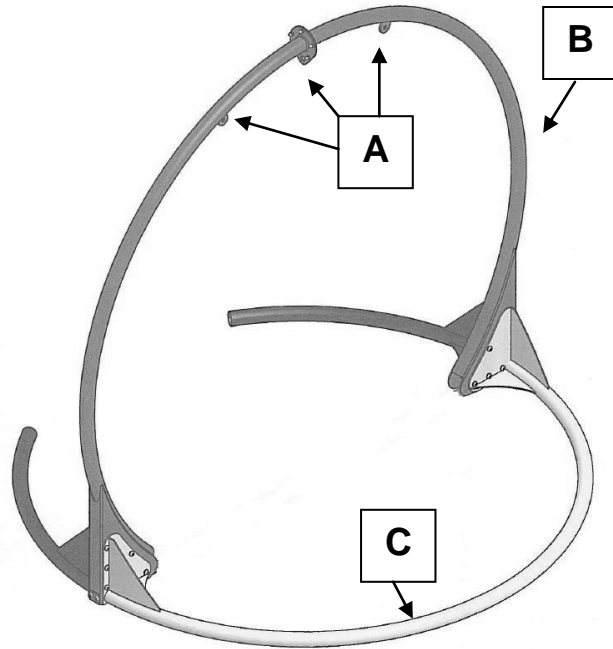
Thank you for choosing your new Smirthwaite 'O' Frame.

Our 'O' Frame is a free standing suspension system for use with our sensory integration swing products. The frame eliminates the need for permanent structural fixings, is easy to transport and assemble. Made from tubular steel it will support rigorous activity and can be fixed to the floor if required.

	<p>IMPORTANT!</p> <p>These instructions should be read by all therapists and carers using the equipment and should be retained for future reference. The product should always be used under adult supervision.</p>
	<p>Any incorrect use of the product and failure to follow the instructions may put the user at risk or impede the function. If you have any queries using this product or wish for further copies, please do not hesitate to contact Customer Service department on T: +44 (0)1626 835552</p>

2.0 ILLUSTRATION OF YOUR O FRAME


- A. Fixing points
- B. Vertical spine
- C. Horizontal frame



2.1 TECHNICAL DATA


Size		1
Product Code		44501
Height	cm	220
Footprint (diameter)	cm	235
Maximum user weight	kg	300

3.0 FOR YOUR SAFETY

	STOP!
Please read these instructions CAREFULLY and THOROUGHLY	

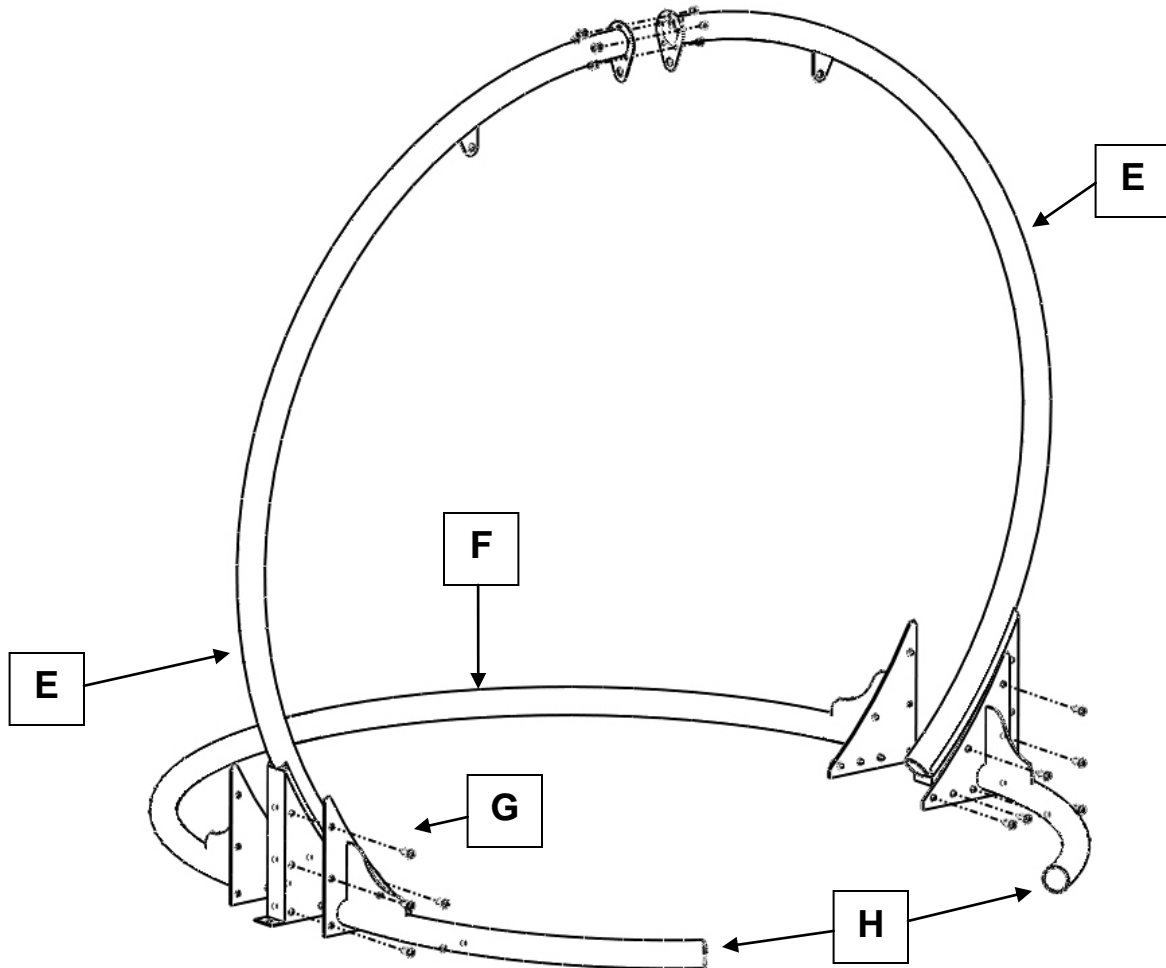
- The user should NOT be left unattended whilst using the 'O' Frame. Always ensure a responsible adult or carer is in attendance.
- Regular maintenance checks and cleaning are essential for the safe use of this equipment (see care and maintenance section).
- Use only on a flat surface and do not exceed the weight limits specified.
- If any part is loose, damaged or functioning incorrectly, do not use until rectified.
- The 'O'Frame is supplied flat packed. Check before use that all parts are present and undamaged. Please refer to section 4.0 for assembly instructions.

4.0 ASSEMBLING YOUR 'O' FRAME

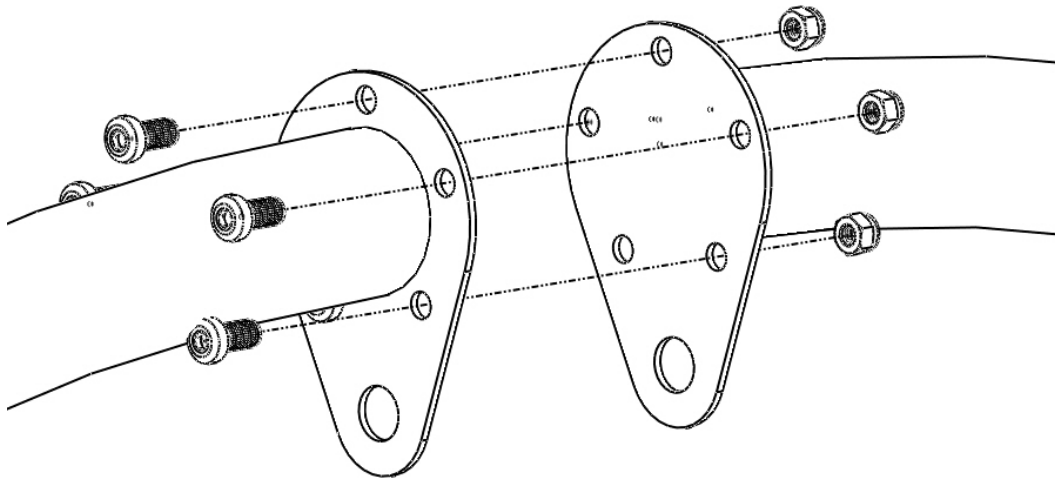
	STOP!
	If in any doubt, ALWAYS seek ADVICE
	Always turn screws clockwise to tighten or anti-clockwise to loosen.

4.1 'O' FRAME – EXPLODED VIEW

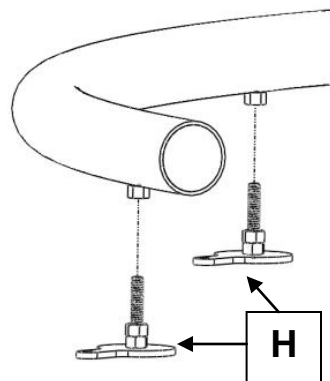
- The 'O' frame is flat packed, consisting of 5 main tubular parts, 6 adjustable feet and a fixing set.
- It is possible for one person to assemble the frame safely, though if you are in any doubt, seek assistance.



- Firstly, position the two vertical spines (E) upright - they should be self-supporting once vertical.
- Offer up the main horizontal leg (F) and secure in place using 14 x M10 x 25mm bolts (G) as shown.
- Offer up the two stub horizontal legs (H) and secure into place using 14 x M10 x 25mm bolts (G) as shown.
- Align the two vertical spines together at their top interface, and secure using the 6 x M10 X 25mm bolts and nuts provided (see below).




- If required to stabilize, insert the 6 feet (I). These are simply threaded into the underside of each leg (quantity 2) and the underside of the vertical spine.
- A lock nut is provided on each foot for adjustment in place when leveled.
- Each foot has an eye-hole feature through which a bolt can be positioned, allowing permanent fixing to the floor if required.



4.2 'O' FRAME – PADDING

- Before use, ensure the padding provided is fitted over the exposed metal parts of the 'O' frame.
- Simply wrap the neoprene padding onto the tube frame and zip to secure.
- The 'knuckle' of each vertical spine is covered with the protection box provided.


5.0 CARE AND MAINTENANCE

	IMPORTANT!
	Cleaning is recommended on a regular basis

- The 'O' frame padding can be cleaned with a damp cloth and mild detergent
- The 'O' frame can be stored/positioned indoors or out
- For further information please refer to MHRA or NHS cleaning guidelines

5.1 DAILY CHECKS

- Check the frame for damage or loose connection points
- Check all padding for signs of wear and tear
- If the 'O' Frame is installed fixed to the ground, ensure the feet and fixing points are secure
- Keep all parts clean

	STOP!
	DO NOT attempt to use the product while being checked or serviced.

5.2 SERVICE INTERVAL

The 'O' Frame should be serviced every 3 years. Servicing must only be undertaken by a Smirthwaite service engineer, or by a Smirthwaite trained representative.

6.0 GUARANTEE & SERVICE

The 'O' Frame is issued with a full parts and labour guarantee for 2 years from the date of delivery. This guarantee does not apply to accidental damage caused through inappropriate use of the product. This guarantee is issued at the discretion of G & S Smirthwaite Ltd on RTB (Return to Base) basis.

If you have any questions or doubts relating to the safety or use of the product please contact us for advice or assistance on:

T: +44 (0)1626 835552

E: enquiries@smirthwaite.co.uk

NO ADAPTATIONS OR ALTERATIONS SHOULD BE MADE TO THE FRAME WITHOUT WRITTEN AUTHORISATION BY SMIRTHWAITE - ANY SUCH MODIFICATION WILL AFFECT THE GUARANTEE

7.0 CONTINUOUS IMPROVEMENT

G & S Smirthwaite Ltd are committed to continuous improvement to their product range.

Should you have any suggestions or comments please send them to our product design department at: enquiries@smirthwaite.co.uk

G&S Smirthwaite Ltd reserve the right to change the specification or material without prior notice.

For catalogues, help and further information on our products please contact us at:

G&S Smirthwaite Ltd
17 Wentworth Road
Heathfield
Devon
TQ12 6TL

T: +44 (0)1626 835552

F: +44 (0)1626 835428

E: enquiries@smirthwaite.co.uk

W: www.smirthwaite.co.uk

8.0 WARRANTY & AFTERSALE

8.1 Product Information

Model:	
Size:	
Date of Manufacture:	
Serial Number:	
Final Inspection:	

8.2 Service & inspection record form:

Date	Procedure	Service Personnel

CE



G & S Smirthwaite, 17 Wentworth Road, Heathfield, Newton Abbot, Devon.TQ12 6TL
T: +44 (0) 1626 835552 F: +44 (0) 1626 835428 E: enquiries@smirthwaite.co.uk www.smirthwaite.co.uk