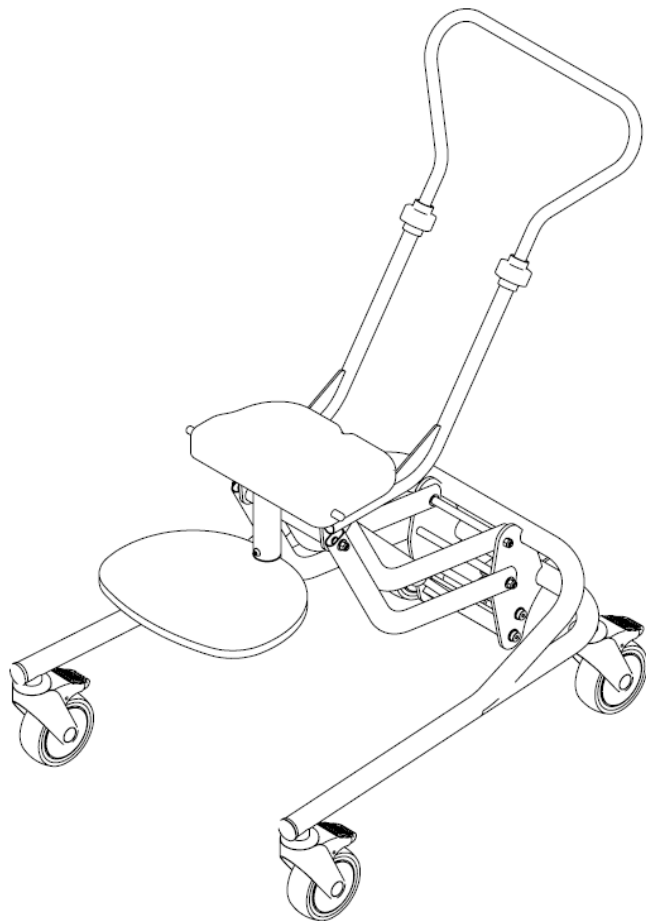


Juni Hi Lo

INSTRUCTIONS FOR USE




CONTENTS	PAGE
1.0 INTRODUCTION	1
2.0 ILLUSTRATION OF YOUR JUNI HI LO	2
3.0 FOR YOUR SAFETY	3
4.0 UNPACKING AND ASSEMBLING YOUR JUNI HI LO	4
5.0 SETTING UP AND ADJUSTING YOUR JUNI HI LO	5
6.0 CARE & MAINTENANCE	8
7.0 GUARANTEE & SERVICE	9
8.0 CONTINUOUS IMPROVEMENT	9
9.0 WARRANTY & AFTERSALE	10

1.0 INTRODUCTION

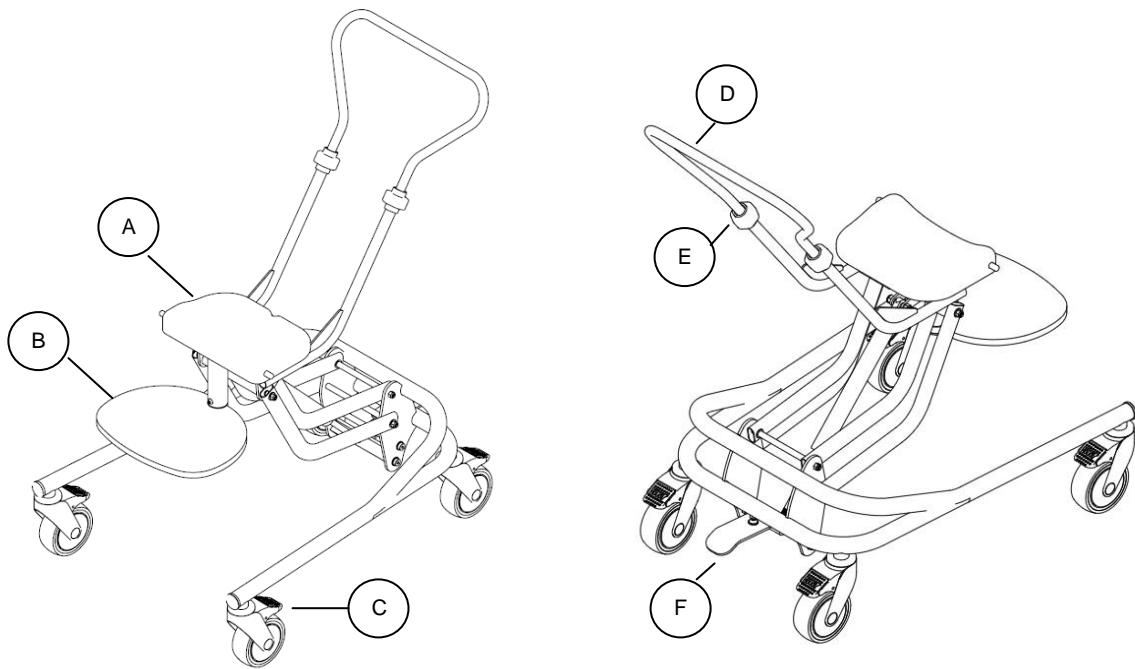
Thank you for choosing the Smirthwaite Juni Hi Lo product.

The Juni Hi Lo chassis has been designed to provide a quick and simple way to achieve extra height for your child when seated in his or her Juni chair.

By depressing the simple foot pedal, the Juni chair seat height can be adjusted across its range from floor level to maximum height. At its minimum setting, the footplate is flat to the floor, enabling easy transfer in and out of the chair. At its maximum setting, the Juni chair is positioned at a height ideal for inclusion in activities such as feeding and learning in both school and home environments.

	<p>IMPORTANT!</p> <p>These instructions should be read by all therapists and carers using the equipment and should be retained for future reference. The product should always be used under adult supervision.</p> <p>Any incorrect use of the product and failure to follow the instructions may put the user at risk or impede the function. If you have any queries using this product or wish for further copies, please do not hesitate to contact Customer Service department on T: +44 (0) 1626 835552.</p>
---	--

2.0 ILLUSTRATION OF YOUR JUNI HI LO



- A. Seat interface plate
- B. Height adjustable footplate
- C. Castors, with brakes

- D. Push handle
- E. Grip locks
- F. Foot pedal for height adjustment


2.1 PRODUCT CODES REFERENCE TABLE

Size				
	red	lime	blue	natural wood
1	HL111	HL121	HL131	HL141
2	HL112	HL122	HL132	HL142

2.2 TECHNICAL DATA


SIZE	1		2	
	Min	Max	Min	Max
Seat height from floor (mm)	160	570	200	570
Lower leg length to footrest (mm)	160	220	200	280
Push handle height (mm)	500	1000	500	1000
Base length and width (mm)	650 x 520		650 x 520	
User weight limit (kg)	30		40	
Overall product weight (kg)	10.5		10.5	

3.0 FOR YOUR SAFETY

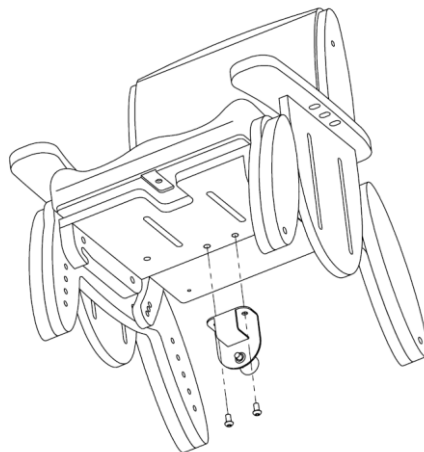
	STOP!
	Please read these instructions CAREFULLY and THOROUGHLY.


- The user should **NOT** be left unattended whilst in the product. Always ensure a responsible therapist or carer is in attendance.
- The carer should be familiar with the methods of adjustment and have completed all adjustments appropriately to meet the needs of the child before transferring the child onto the product.
- Regular maintenance checks and cleaning are essential for the safe use of this equipment (see care and maintenance section).
- Ensure that all nuts, bolts and hand wheels are securely tightened and that none are missing.
- The Hi Lo chassis is **ONLY** to be used indoors on a flat level surface.
- **ONLY** adjust the seat height with all 4 castor brakes applied.
- Always fasten the lap strap harness and any other straps provided with the product or matching Juni Chair.
- Always keep this product away from naked flames, cigarettes and sources of heat including open fireplaces, radiators and heaters.
- **DO NOT** fit parts or accessories of other manufacturers to this product unless authorized to do so in writing by G&S Smirthwaite Ltd. Failure to follow these instructions will not only invalidate the guarantee but could make the product dangerous to use. G&S Smirthwaite Ltd will not accept liability for any injury or damage incurred through such malpractices.
- Any repairs required must be carried out by G&S Smirthwaite Ltd authorized personnel.
- If you believe the product or any fitted accessory to be faulty at any time, **DO NOT USE** – contact Smirthwaite by telephone on +44 (0) 1626 835552.

4.0 UNPACKING AND ASSEMBLING YOUR JUNI HI LO


	STOP!
	<p>If in any doubt, ALWAYS seek ADVICE.</p> <p>Always turn hand wheels, levers and screws clockwise to tighten or anti-clockwise to loosen.</p>

- When delivered, the product will be supplied fully assembled, with the exception of the fitment of the seat bracket to your existing Juni Size 1 or Size 2 chair.
- The seat bracket provided should be fixed to the rear underside of your Juni Chair as shown below by inserting 2 x M6x12 screws (supplied).
- Ensure all screws are tightened before use.



	STOP!
	<p>If you believe this product to be faulty – DO NOT USE – Contact G&S Smirthwaite Ltd on T: +44 (0) 1626 835552</p>

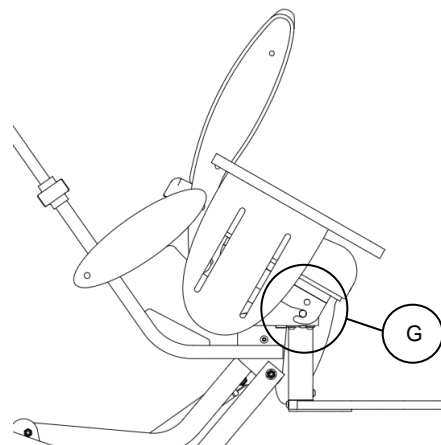
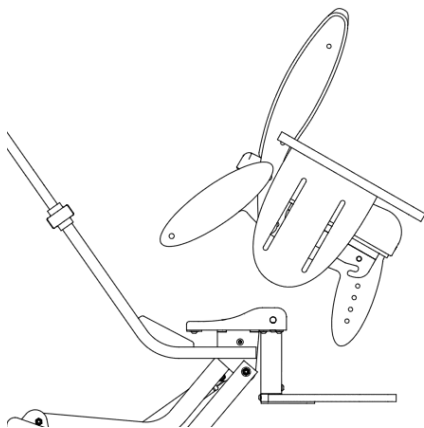
5.0 SETTING UP AND ADJUSTING YOUR JUNI HI LO

	STOP!
	<p>If in any doubt, ALWAYS seek ADVICE.</p> <p>Always turn hand wheels, levers and screws clockwise to tighten or anti-clockwise to loosen.</p>

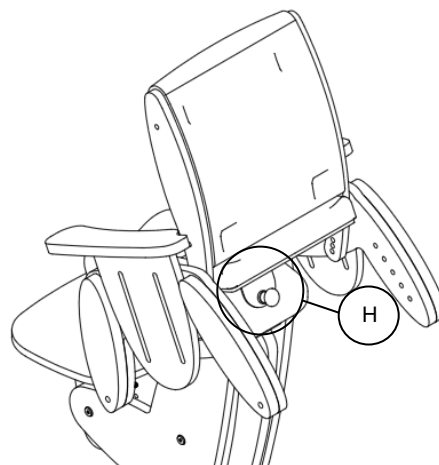
5.1 ATTACHING YOUR JUNI CHAIR TO YOUR JUNI HI LO

	STOP!
	NEVER undertake these steps with a child in the Juni Chair

- Offer up the Juni chair to the seat interface plate as shown below
- The chair seat batten should hook over two metal pins (G) on the seat interface plate (one each side).

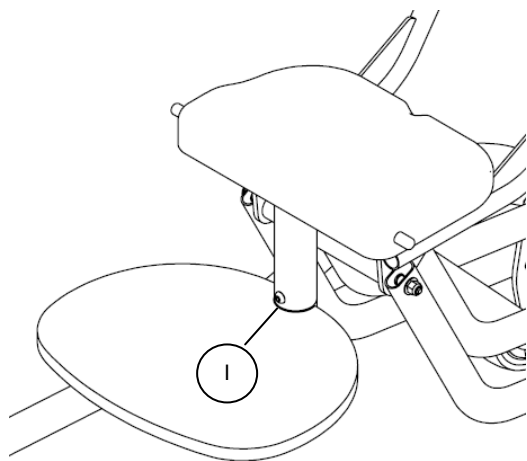


- Double check the metal pins are both engaged into the chair battens before proceeding further
- Rotate the chair to the horizontal, and ensure the safety catch (H) clicks/locks onto the Juni Hi Lo seat interface plate.
- Double check engagement by trying to remove the chair; it should **NOT** be possible to remove the chair without firstly pulling safety catch (H) to release

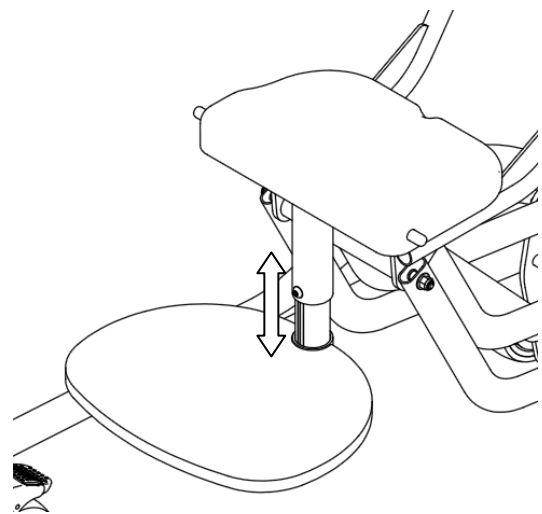


5.2 ADJUSTING THE FOOTPLATE HEIGHT

- The footplate height can be adjusted to suit your client's needs.
- Locate and loosen the button head screw (I) using the hex driver provided.
- While loose, the footplate can be raised or lowered to the desired height setting
- Retighten the button head screw (I) when finished.
- Ensure the screw is fully tightened before use.



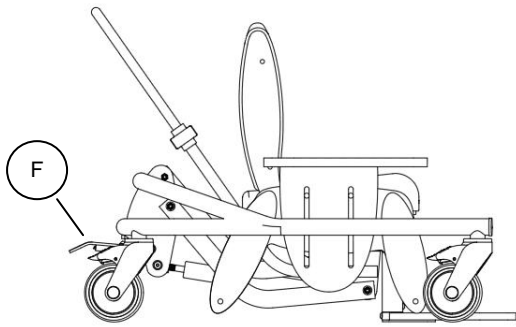
Foot plate at minimum setting



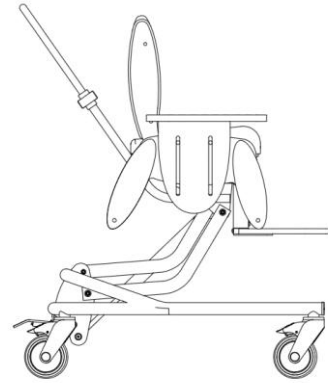
Foot plate at maximum setting

5.3 ADJUSTING THE SEAT HEIGHT

- The seat height can be adjusted to suit your client's needs.
- ***We advise that the seat height is adjusted with all 4 castor brakes applied.***
- Hold the push handle, then locate and depress the foot pedal (F) at the rear of the chassis.
- While the foot pedal is depressed, the seat can be raised or lowered to the desired height setting.
- Release the foot pedal to lock the seat at the height setting.
- The foot pedal can be retracted (for security/storage), by simply rotating through 90° when not in use – it is possible to do this with your tip of your shoe.



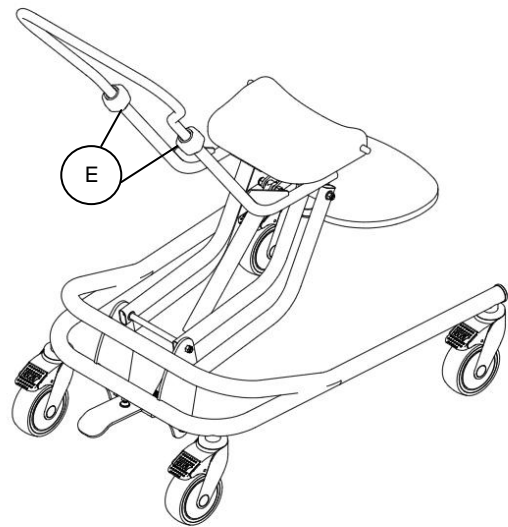
Seat at lowest setting




Seat at highest setting

5.4 ADJUSTING THE PUSH HANDLE HEIGHT

- The push handle height can be adjusted to suit the carer's requirement for comfort and use.
- To adjust, firstly locate and loosen the grip locks (E)
- Lift or lower the handle to the desired height.
- To lock into position, retighten the grip locks (E)



6.0 CARE AND MAINTENANCE

	IMPORTANT!
	CLEANING IS RECOMMENDED ON A REGULAR BASIS

- Clean wooden and metal parts with a damp cloth and mild detergent.
- Stubborn marks on the woodwork should be cleaned using a soft brush.
- Do not soak or immerse the product in water.
- Store the product in a cool dry place and out of direct sunlight.
- DO NOT use bleach, solvents, abrasives, synthetic detergents, wax polishes, antibacterial sprays or wipes.
- For further information please refer to MHRA or your NHS cleaning guidelines.

6.1 DAILY CHECKS

- Check for signs of wear, tear or damage.
- Check for missing parts.
- Check that all screws are present and tighten correctly, and are not cross-threaded or damaged.
- Check all straps for fraying, and that buckles are not missing/damaged.
- Check the brakes on each castor operate correctly.
- Always check the Juni Chair can be securely fixed to the Juni Hi Lo chassis **before** sitting a child into the chair. Check the fixing pins are present and secure on the seat interface plate, and that the rear safety catch operates correctly.

6.2 SERVICE INTERVAL

The Juni Hi Lo chassis should be serviced every 1 year. Servicing must only be undertaken by a Smirthwaite service engineer, or by a Smirthwaite trained representative.

7.0 GUARANTEE & SERVICE

This product is issued with a full parts and labour guarantee for 2 years from the date of delivery. This guarantee does not apply to accidental damage caused through inappropriate use of the product. This guarantee is issued at the discretion of G&S Smirthwaite Ltd on RTB (Return to Base) basis. If you have any questions or doubts relating to the safety or use of the chair please contact us for advice or assistance on:

T: +44 (0) 1626 835552

E: info@smirthwaite.co.uk

8.0 CONTINUOUS IMPROVEMENT

G&S Smirthwaite Ltd are committed to continuous improvement to their product range. Should you have any suggestions or comments please send them to our product design department at: info@smirthwaite.co.uk

G&S Smirthwaite Ltd reserve the right to change the specification or material without prior notice.

For catalogues, help and further information on our products please contact us at:

G&S Smirthwaite Ltd
17 Wentworth Road
Heathfield
Devon.TQ12 6TL

T: +44 (0) 1626 835552

F: +44 (0) 1626 835428

E: info@smirthwaite.co.uk

W: www.smirthwaite.co.uk



G&S Smirthwaite, 17 Wentworth Road, Heathfield, Newton Abbot, Devon.TQ12 6TL
T: +44 (0) 1626 835552 F: +44 (0) 1626 835428 E: info@smirthwaite.co.uk
W: www.smirthwaite.co.uk