

# Juni Booster

---

## INSTRUCTIONS FOR USE

Hi Booster Codes: JB112, JB122, JB212, JB222, JB312, JB322, JB412, JB422

Lo Booster Codes: JB111, JB121, JB211, JB221, JB311, JB321 JB411, JB421



<b>CONTENTS</b>	<b>PAGE</b>
1.0 INTRODUCTION	1
2.0 ILLUSTRATION OF YOUR JUNI BOOSTER	2
3.0 FOR YOUR SAFETY	3
4.0 UNPACKING AND ASSEMBLING YOUR JUNI BOOSTER	4
5.0 SETTING UP AND ADJUSTING YOUR JUNI BOOSTER	5
6.0 CARE & MAINTENANCE	11
7.0 GUARANTEE & SERVICE	12
8.0 CONTINUOUS IMPROVEMENT	13
9.0 WARRANTY & AFTERSALE	14

---


## **1.0 INTRODUCTION**

Thank you for choosing the Smirthwaite Juni Booster product.

The Juni Booster has been designed to provide a quick and simple way to achieve extra height for your child.

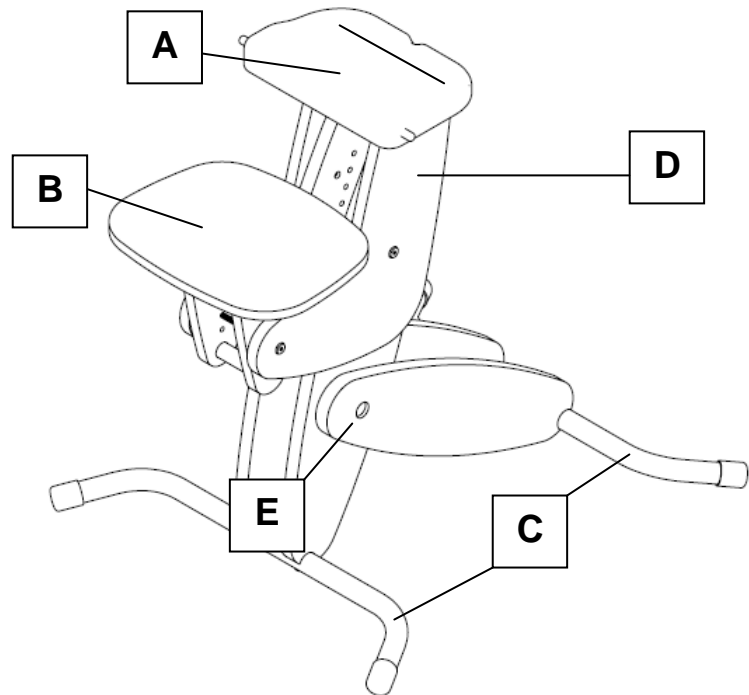
The Hi Booster is perfect for a breakfast bar or feeding your child whilst standing.

The Lo Booster has been designed to enable a child to be included at the dinner table during mealtimes.

	<p><b>IMPORTANT!</b></p> <p><b>These instructions should be read by all therapists and carers using the equipment and should be retained for future reference. The product should always be used under adult supervision.</b></p> <p><b>Any incorrect use of the product and failure to follow the instructions may put the user at risk or impede the function. If you have any queries using this product or wish for further copies, please do not hesitate to contact Customer Service department on T: +44 (0) 1626 835552.</b></p>
---	--

## 2.0 ILLUSTRATION OF YOUR JUNI BOOSTER

- A. Seat interface plate
- B. Footplate
- C. Metal Legs
- D. Head assembly
- E. Button to fold




## 2.1 TECHNICAL DATA

all dimensions in mm unless otherwise stated

Size	1	2	3	4
Height	160-220	200-280	240-340	300-400
Width	240	280	325	365
Depth	180-240	220-300	260-360	320-420
Back height	260	290	325	400
Back angle [°]	95/100/105	95/100/105	95/100/105	95/100/105
Weight limit [kg]	30	40	50	60
Colour options	Codes			
Red	16011	16012	16013	16014
Lime	16021	16022	16023	16024
Blue	16031	16032	16033	16034

### 3.0 FOR YOUR SAFETY

	<b>STOP!</b>
	<b>Please read these instructions CAREFULLY and THOROUGHLY.</b>

- The user should **NOT** be left unattended whilst in the product. Always ensure a responsible therapist or carer is in attendance.
- The carer should be familiar with the methods of adjustment and have completed all adjustments appropriately to meet the needs of the child before transferring the child onto the product.
- Regular maintenance checks and cleaning are essential for the safe use of this equipment (see care and maintenance section).
- Ensure that all nuts, bolts and hand wheels are securely tightened and that none are missing.
- The Booster is **ONLY** to be used indoors on a flat level surface.
- Always fasten the 5 Point Harness and any other straps provided with the product or matching Juni Chair.
- Always keep this product away from naked flames, cigarettes and sources of heat including open fireplaces, radiators and heaters.
- **DO NOT** fit parts or accessories of other manufacturers to this product unless authorized to do so in writing by G&S Smirthwaite Ltd. Failure to follow these instructions will not only invalidate the guarantee but could make the product dangerous to use. G&S Smirthwaite Ltd will not accept liability for any injury or damage incurred through such malpractices.
- Any repairs required must be carried out by G&S Smirthwaite Ltd authorized personnel.
- If you believe the product or any fitted accessory to be faulty at any time, **DO NOT USE** – contact Smirthwaite by telephone on +44 (0) 1626 835552.

## 4.0 UNPACKING AND ASSEMBLING YOUR JUNI BOOSTER

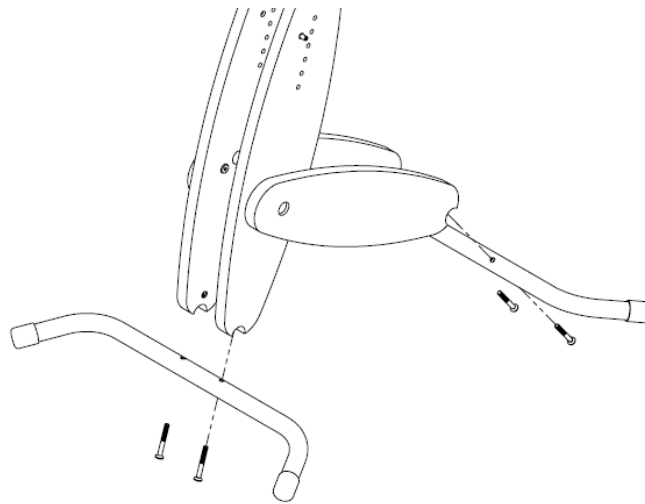


### **STOP!**

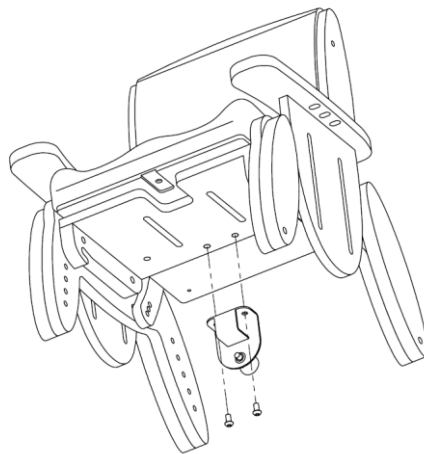
**If in any doubt, ALWAYS seek ADVICE.**

**Always turn hand wheels, levers and screws clockwise to tighten or anti-clockwise to loosen.**

- When delivered, the product will be supplied fully assembled except for the attachment of the front and rear metal legs.
- To complete the Booster assembly, simply offer up the metal legs to the Booster and insert 4 x M6x50 screws, as shown below.



- The seat bracket provided should be fixed to the rear underside of your Juni Chair as shown below by inserting 2 x M6x12 screws.
- Ensure all screws are tightened before use.



### **STOP!**

**If you believe this product to be faulty – DO NOT USE – Contact G&S Smirthwaite Ltd on T: +44 (0) 1626 835552**

## 5.0 SETTING UP AND ADJUSTING YOUR JUNI BOOSTER



**STOP!**

If in any doubt, **ALWAYS** seek **ADVICE**.

**Always turn hand wheels, levers and screws clockwise to tighten or anti-clockwise to loosen.**

### 5.1 ADJUSTMENTS

Two adjustments can be made to the Juni Booster; chair height and footplate height.

#### 5.1.1 CHAIR HEIGHT

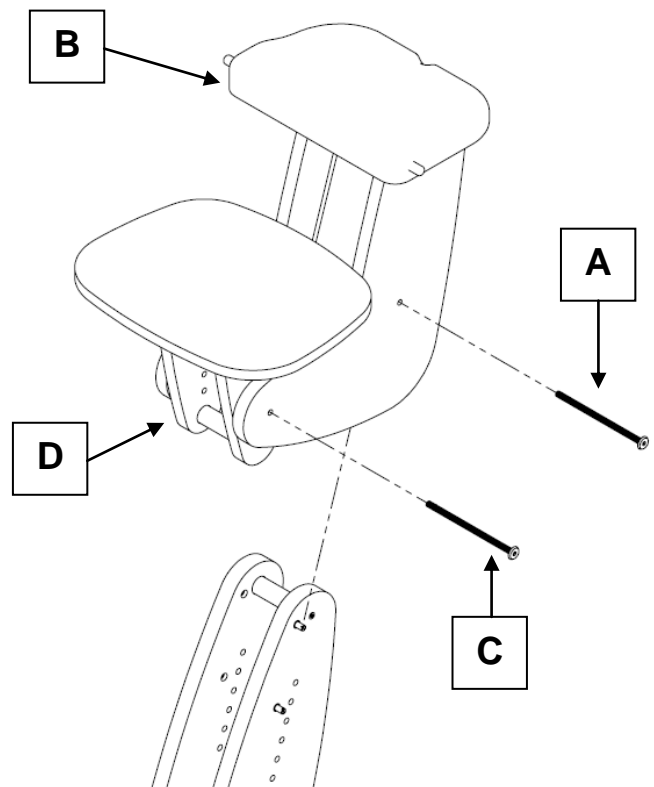
To raise or lower the Juni chair height when attached to the Booster:

- Remove screw (A) and slide the head assembly (B) to the desired height before re-inserting and tightening screw (A).

#### 5.1.2 FOOTPLATE HEIGHT

To raise or lower the footplate once attached to the Juni Booster:

- Remove screw (C) and slide the footplate assembly (D) to the desired height before re-inserting and tightening screw (C).



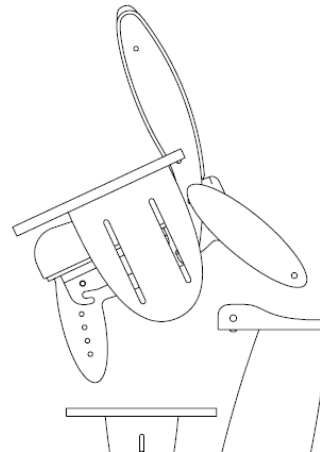
## 5.2 ATTACHING YOUR JUNI CHAIR TO YOUR JUNI BOOSTER



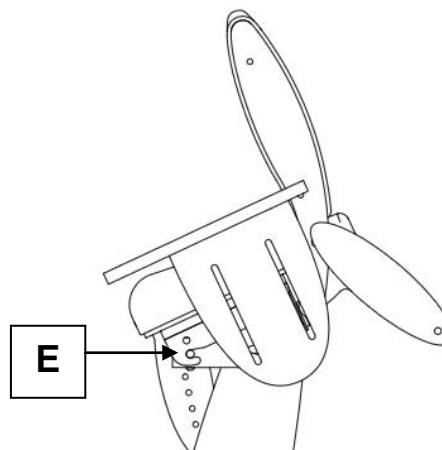
**STOP!**

**NEVER undertake these steps with a child in the Juni Chair**

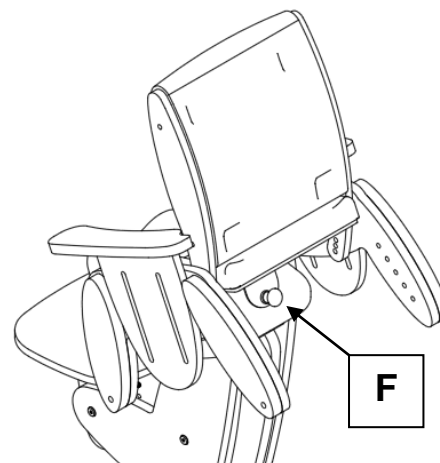
- Offer up the Juni chair to the seat interface plate as shown opposite



- The chair seat batten should hook over two metal pins (E) on the seat interface plate (one each side).
- Double check the metal pins are both engaged into the chair battens before proceeding further



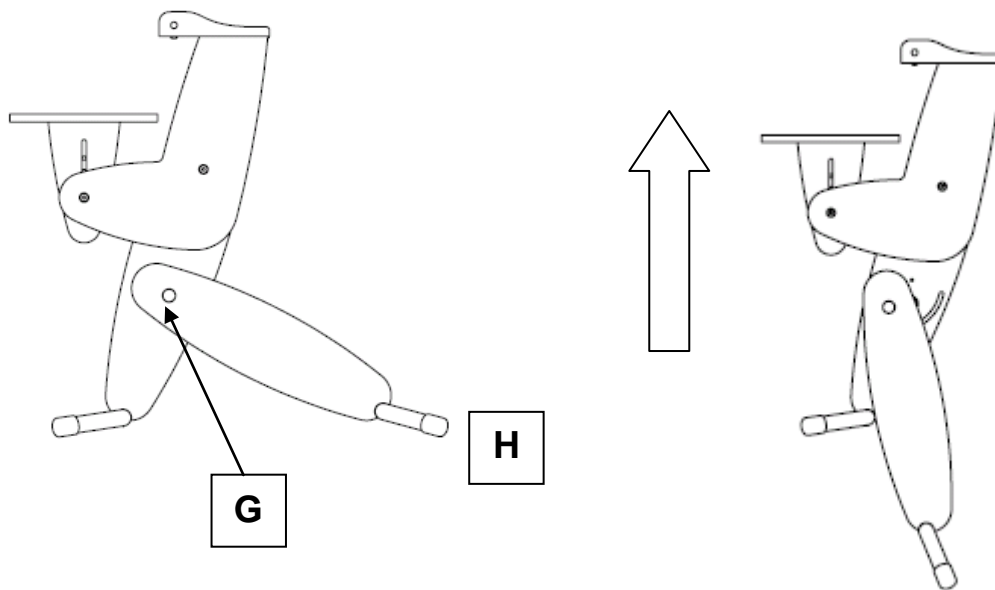
- Rotate the chair to the horizontal, and ensure the safety catch (F) clicks/locks onto the Juni Booster seat interface plate.
- Double check engagement by trying to remove the chair; it should **NOT** be possible to remove the chair without firstly pulling safety catch (F) to release



### 5.3 FOLDING THE JUNI BOOSTER


The Juni Booster can be folded to aid storage and transport.

- Do **NOT** attempt to fold the Juni Booster while a Juni chair is attached.
- Locate and depress the red button (G) on the main booster leg.
- Lightly place one foot on the rear metal tubular leg (H)
- Lift vertically as shown.
- The Juni Booster will now fold
- The red button (G) will remain depressed during the folding process and whilst folded.
- The red button (G) will 'pop' out flush when the Juni Booster is unfolded and the mechanism is locked – **ALWAYS** ensure the mechanism is locked before attaching the Juni chair.





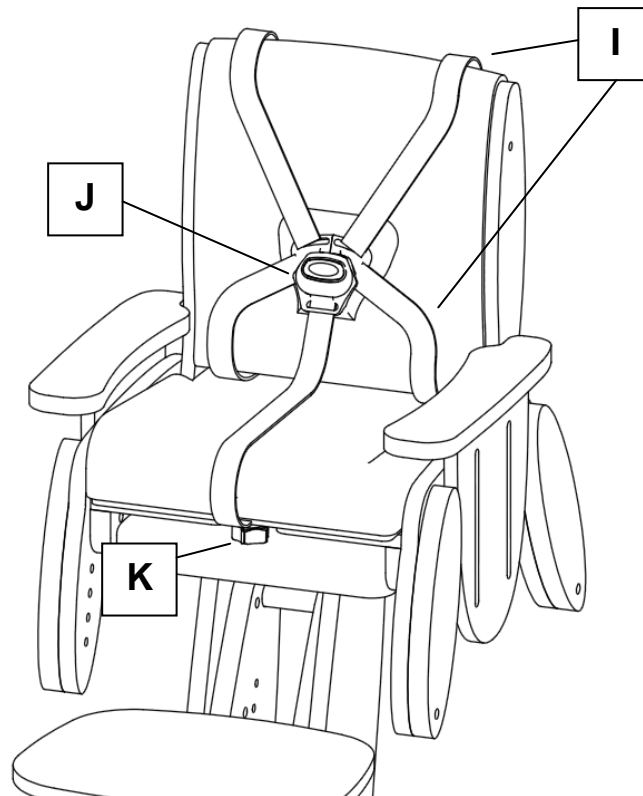
## 5.4 FIVE POINT HARNESS

	<b>STOP!</b> We <b>STRONGLY</b> recommend the use of the supplied Five Point Harness at all times when attaching a Juni Chair to a Juni Booster
---	--

Each Juni Booster comes complete with a padded five-point buckle harness.

This should be attached to the Juni Chair that is intended for use with the Juni Booster.

### 5.4.1 ILLUSTRATION OF THE FIVE POINT HARNESS



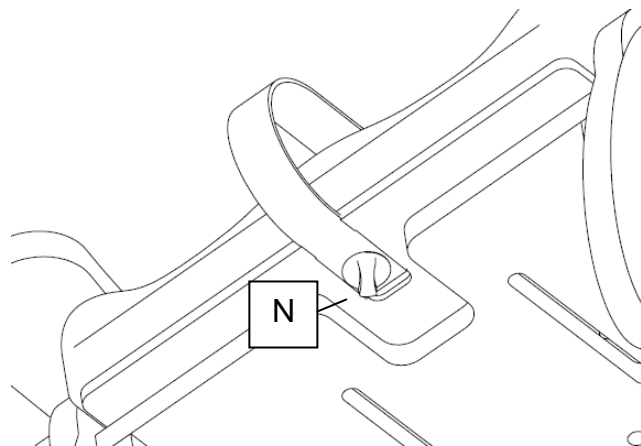
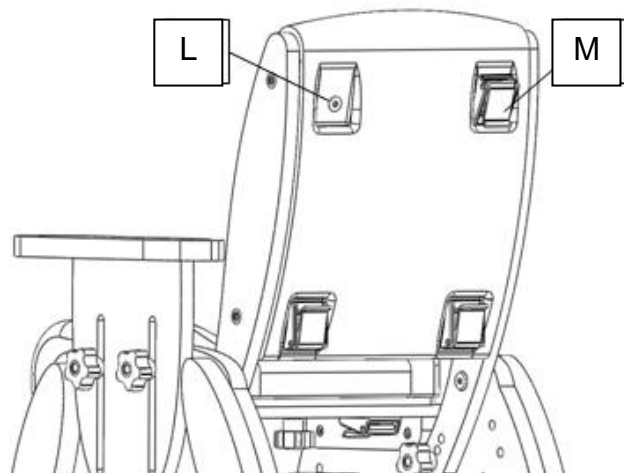
I.Rear straps (x4)


J.Central Buckle

K. Handwheel for central strap.

## 5.4.2 FITTING THE FIVE POINT HARNESS


- The rear of the Juni seat back has 4 recesses that are designed to locate fixing cam-locks for the five point harness
- Take a sharp implement and pierce each recess where the 'dimple' is visible on the surface (L)
- Offer up a cam-lock and using an M6 screw, fasten the cam-lock to the seat
- Repeat for the 3 remaining cam-locks (M)
- The 4 Rear straps can now be fed through the cam-locks and secured
- The central strap is secured on the underside of the Juni seat (as shown opposite)
- Use the M6 x 20 White winged handwheel provided to secure the central strap into place (N)
- Several eyelets are available in the strap – pick the most appropriate for the client
- Once all straps are fitted, adjust to suit the specific needs of your client




	<p><b>STOP!</b> The Five Point harness should replace all other harnesses supplied with the Juni Chair when used with the Juni Booster.</p>
---	---

### 5.4.3 USING THE FIVE POINT HARNESS

- The central strap (secured to the underside of the Juni chair) should remain fitted at all times.
- To fasten the harness, take each shoulder strap and group together before simply clicking into the buckle.
- To release, simply press the red button on the buckle.

	<p><b>IMPORTANT!</b></p> <p><b>In the unlikely event that the buckle becomes damaged and does not release when the red button is pressed, it is possible to remove the client quickly from the Juni chair by releasing/unlocking the camlocks at the rear of the chair.</b></p>
---	---

## 6.0 CARE AND MAINTENANCE

	<b>IMPORTANT!</b>
	<b>CLEANING IS RECOMMENDED ON A REGULAR BASIS</b>

- Clean wooden and metal parts with a damp cloth and mild detergent.
- Stubborn marks on the woodwork should be cleaned using a soft brush.
- Do not soak or immerse the product in water.
- The Five Point Harness can be cleaned with a damp cloth. In cases of extreme soiling it can be machined washed at low temperature with mild detergent but must be drip-dried.
- Store the product in a cool dry place and out of direct sunlight.
- DO NOT use bleach, solvents, abrasives, synthetic detergents, wax polishes, antibacterial sprays or wipes.
- For further information please refer to MHRA or your NHS cleaning guidelines.

### 6.1 DAILY CHECKS

- Check for signs of wear, tear or damage.
- Check for missing parts.
- Check that all screws are present and tighten correctly, and are not cross-threaded or damaged.
- Check all straps for fraying, and that buckles are not missing/damaged.
- Always check the Juni Chair can be securely fixed to the Juni Booster **before** sitting a child into the chair. Check the fixing pins are present and secure on the seat interface plate, and that the rear safety catch operates correctly.

### 6.2 SERVICE INTERVAL

The Juni Booster should be serviced every 3 years. Servicing must only be undertaken by a Smirthwaite service engineer, or by a Smirthwaite trained representative.

## **7.0 GUARANTEE & SERVICE**

This product is issued with a full parts and labour guarantee for 2 years from the date of delivery. This guarantee does not apply to accidental damage caused through inappropriate use of the product. This guarantee is issued at the discretion of G&S Smirthwaite Ltd on RTB (Return to Base) basis. If you have any questions or doubts relating to the safety or use of the chair please contact us for advice or assistance on:

T: +44 (0) 1626 835552

E: [info@smirthwaite.co.uk](mailto:info@smirthwaite.co.uk)

## **8.0 CONTINUOUS IMPROVEMENT**

G&S Smirthwaite Ltd are committed to continuous improvement to their product range. Should you have any suggestions or comments please send them to our product design department at: [info@smirthwaite.co.uk](mailto:info@smirthwaite.co.uk)

G&S Smirthwaite Ltd reserve the right to change the specification or material without prior notice.

For catalogues, help and further information on our products please contact us at:

G&S Smirthwaite Ltd  
17 Wentworth Road  
Heathfield  
Devon.TQ12 6TL

T: +44 (0) 1626 835552

F: +44 (0) 1626 835428

E: [info@smirthwaite.co.uk](mailto:info@smirthwaite.co.uk)

W: [www.smirthwaite.co.uk](http://www.smirthwaite.co.uk)

## 9.0 WARRANTY & AFTERSALE

### 9.1 Product Information

Model:	
Size:	
Date of Manufacture:	
Serial Number:	
Final Inspection:	

### 9.2 Service & inspection record form:

Date	Procedure	Service Personnel



G&S Smirthwaite, 17 Wentworth Road, Heathfield, Newton Abbot, Devon.TQ12 6TL  
T: +44 (0) 1626 835552 F: +44 (0) 1626 835428 E: [info@smirthwaite.co.uk](mailto:info@smirthwaite.co.uk)  
W: [www.smirthwaite.co.uk](http://www.smirthwaite.co.uk)