

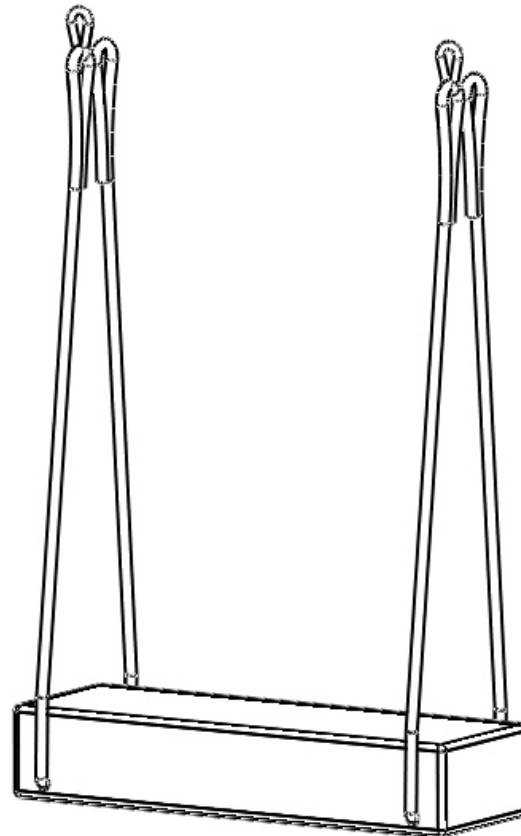
Activity Bolster

INSTRUCTIONS FOR USE

Codes 40311, 40321, 40331

Codes 40312, 40322, 40332

Codes 40313, 40323, 40333




CONTENTS	PAGE
1.0 INTRODUCTION	1
2.0 ILLUSTRATION OF YOUR ACTIVITY BOLSTER	2
3.0 FOR YOUR SAFETY	3
4.0 UNPACKING YOUR ACTIVITY BOLSTER	4
5.0 CARE & MAINTENANCE	5
6.0 GUARANTEE & SERVICE	6
7.0 CONTINUOUS IMPROVEMENT	6
8.0 WARRANTY & AFTERSALE	7

1.0 INTRODUCTION

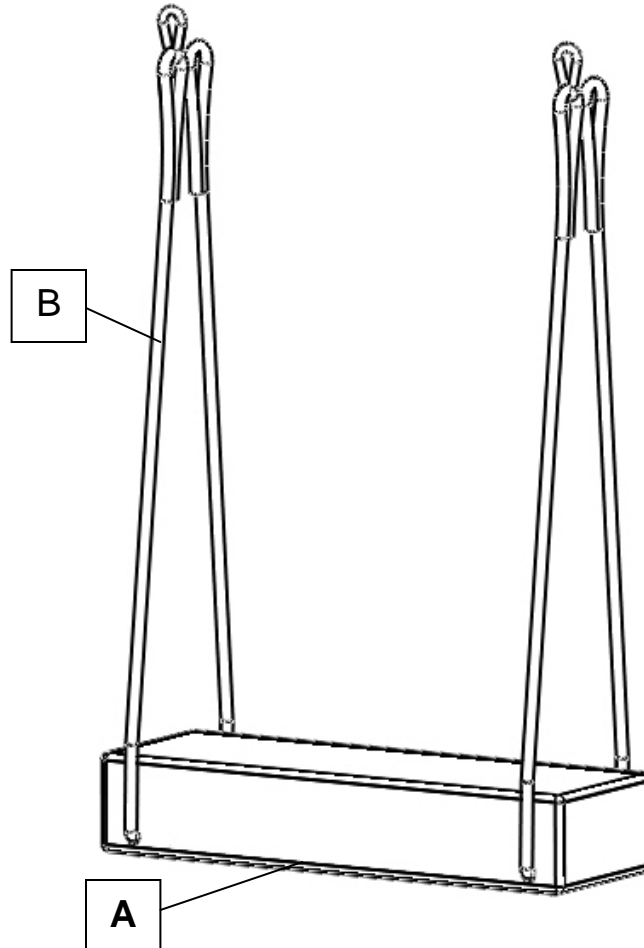
Thank you for choosing your new Smirthwaite Activity Bolster.

This product has been designed to create vestibular input, encourage good balance and improve weight-shifting abilities/co-ordination. The Activity bolster is available in several different colours, and three different sizes. This bolster is designed to be hung from a double fixing point.

	<p>IMPORTANT!</p> <p>These instructions should be read by all therapists and carers using the equipment and should be retained for future reference.</p> <p>Any incorrect use of the product and failure to follow the instructions may put the user at risk or impede the function. If you have any queries using this product or wish for further copies, please do not hesitate to contact Customer Service department on T: +44 (0) 1626 835552.</p>
---	---

2.0 ILLUSTRATION OF YOUR ACTIVITY BOLSTER

- A. Padded bolster
- B. Support ropes



2.1 TECHNICAL DATA

Size		1	2	3
Height	mm	170	170	170
Length	mm	930	1265	1570
Width	mm	315	315	315
Maximum user weight	kg	136	136	136

3.0 FOR YOUR SAFETY

	STOP!
	Please read these instructions CAREFULLY and THOROUGHLY

- The user should NOT be left unattended whilst using the product. Always ensure a responsible adult or carer is in attendance.
- The carer should be familiar with the methods of adjustment and have completed all adjustments appropriately to meet the needs of the child before use.
- Regular maintenance checks and cleaning are essential for the safe use of this equipment (see care and maintenance section).
- If any part is loose, damaged or functioning incorrectly, do not use until rectified.
- This product is intended for indoor use only.
- Always keep this product away from naked flames, cigarettes and sources of heat including open fireplaces, radiators, heaters.
- A minimum ceiling height of 8'2.4m is recommended.
- Maximum working load: 300lb/136kg.
- This product is supplied with safety snaps as standard. It is recommended rotational safety devices (available separately) are also used to prevent abnormal wear.
- This product is designed for use with Smirthwaite's suspension equipment. When installed on suspension equipment supplied by other manufacturers, **ensure** the activity bolster is attached via a forged steel eyebolt (1/2" or 5/8").
- The client should always wear a safety helmet with all suspended equipment.
- Floor mats of proper thickness should be positioned correctly under and around all suspended equipment.

If you believe this product to be faulty - **DO NOT USE** - Contact G&S Smirthwaite Ltd on T: +44 (0) 1626 83552

4.0 UNPACKING YOUR ACTIVITY BOLSTER

- The Activity Bolster is supplied fully assembled.
- Please take note of any instructions on the packaging/box when unpacking.
- Once the product has been carefully unpacked, please check all parts.
- If any part is loose, damaged or functioning incorrectly, do not use until rectified.

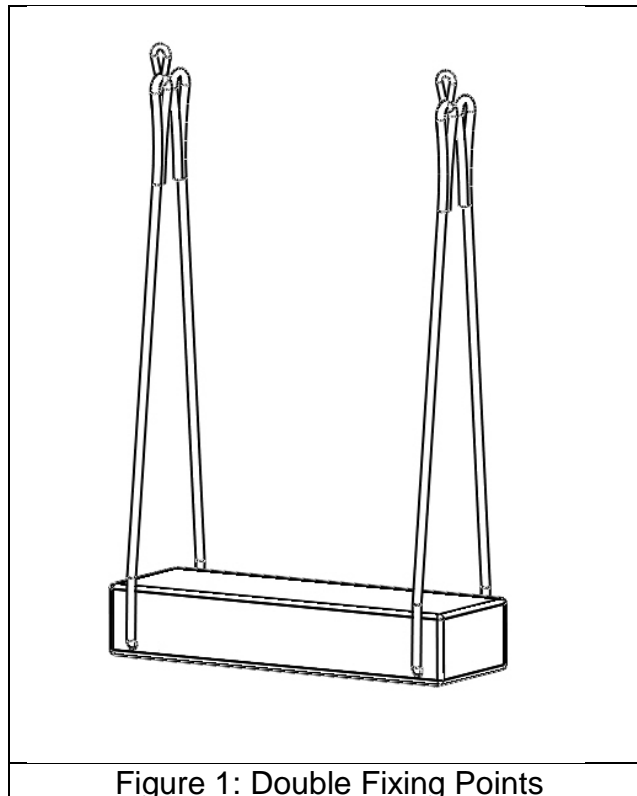
Should you wish to query any aspect of your product, please contact our Customer Services department on:

T: +44 (0) 1626 835552


E: info@smirthwaite.co.uk

4.1 HANGING YOUR BOLSTER


- As supplied the Activity Bolster is configured to be mounted to a double point (See Figure 1).



5.0 CARE AND MAINTENANCE

	IMPORTANT!
	Cleaning is recommended on a regular basis

- Clean upholstery with a damp cloth and mild detergent.
- Stubborn marks should be cleaned by using a soft brush.
- Do not soak or immerse the product in water.
- Store the product in a cool dry place out of direct sunlight.
- DO NOT use bleach, solvents, abrasives, synthetic detergents, wax polishes, antibacterial sprays or wipes.

	IMPORTANT!
	Regular Maintenance checks are recommended

DAILY & MONTHLY CHECKS

- Check the product for damage or loose components.
- Check the structure of the product for signs of damage wear and tear.
- Keep all parts clean.

5.1 SERVICE INTERVAL

The Activity Bolster should be serviced every 3 years. Servicing must only be undertaken by a Smirthwaite service engineer, or by a Smirthwaite trained representative.

6.0 GUARANTEE & SERVICE

The Activity Bolster is issued with a full parts and labour guarantee for 2 years from the date of delivery. This guarantee does not apply to accidental damage caused through inappropriate use of the product. This guarantee is issued at the discretion of G&S Smirthwaite Ltd on RTB (Return to Base) basis.

If you have any questions or doubts relating to the safety or use of the chair please contact us for advice or assistance on:

T: +44 (0) 1626 835552
E: info@smirthwaite.co.uk

7.0 CONTINUOUS IMPROVEMENT

G&S Smirthwaite Ltd are committed to continuous improvement to their product range. Should you have any suggestions or comments please send them to our product design department at: info@smirthwaite.co.uk

G&S Smirthwaite Ltd reserve the right to change the specification or material without prior notice.

For catalogues, help and further information on our products please contact us at:

G&S Smirthwaite Ltd
17 Wentworth Road
Heathfield
Devon
TQ12 6TL

T: +44 (0) 1626 835552
F: +44 (0) 1626 835428

E: info@smirthwaite.co.uk
W: www.smirthwaite.co.uk

8.0 WARRANTY & AFTERSALE

8.1 Product Information

Model:	
Size:	
Date of Manufacture:	
Serial Number:	
Final Inspection:	

8.2 Service & inspection record form:

Date	Procedure	Service Personnel



G&S Smirthwaite, 17 Wentworth Road, Heathfield, Newton Abbot, Devon.TQ12 6TL
T: +44 (0) 1626 835552 F: +44 (0) 1626 835428 E: info@smirthwaite.co.uk
W: www.smirthwaite.co.uk